

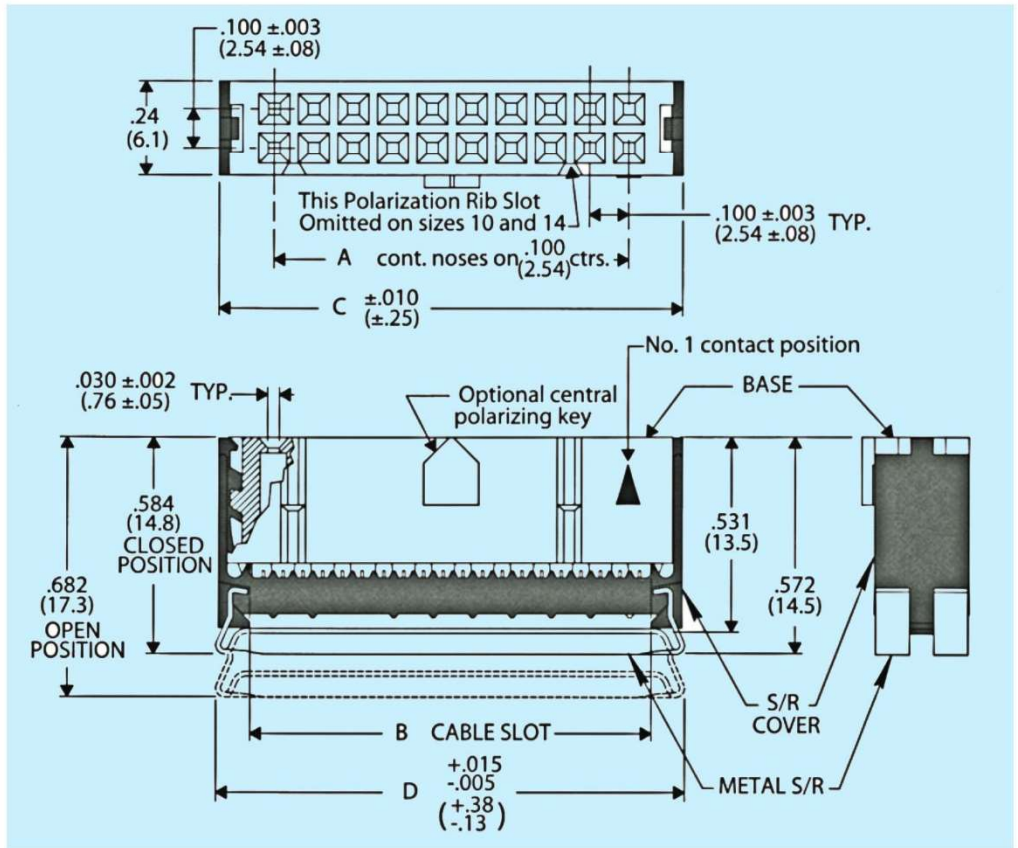
## Engineering Dimensions

### Dimensions

Socket Connector  
with Metal Strain Relief Strap

#### CWR-217

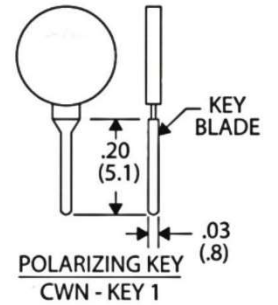
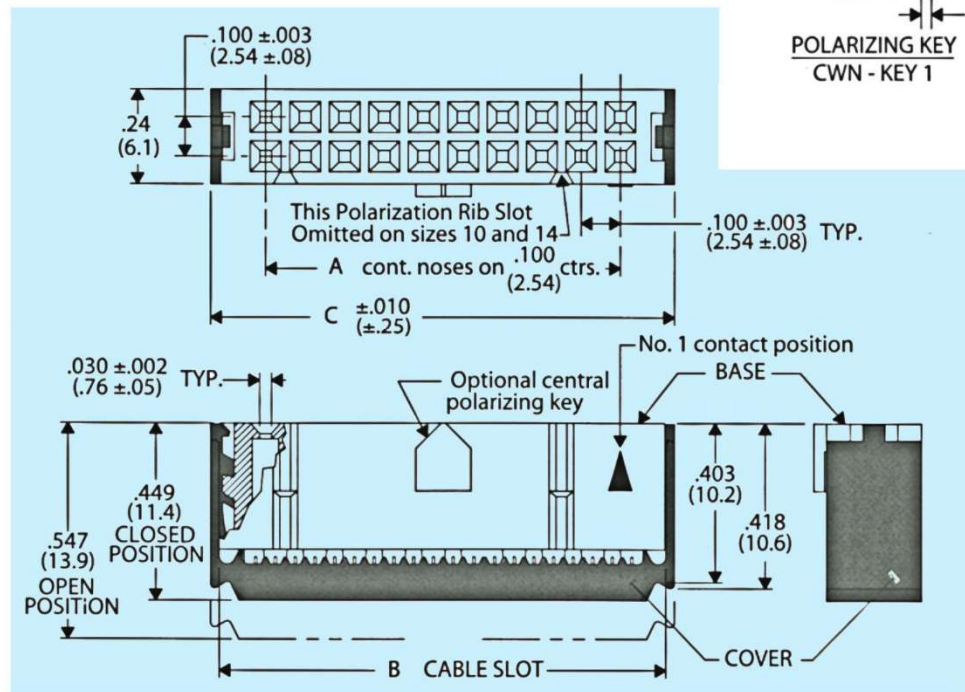
CONNECTOR DIMENSIONS				
NO. CONTS.	A	B	C	D
10	.400 (10.16)	.515 (13.08)	.677 (17.20)	.690 (17.53)
14	.600 (15.24)	.715 (18.16)	.877 (22.28)	.890 (22.61)
16	.700 (17.78)	.815 (20.70)	.977 (24.82)	.990 (25.15)
20	.900 (22.86)	1.015 (25.78)	1.177 (29.90)	1.190 (30.23)
26	1.200 (30.48)	1.315 (33.40)	1.477 (37.52)	1.490 (37.85)
34	1.600 (40.64)	1.715 (43.56)	1.877 (47.68)	1.890 (48.01)
40	1.900 (48.26)	2.015 (51.18)	2.177 (55.30)	2.190 (55.63)
50	2.400 (60.96)	2.515 (63.88)	2.677 (68.00)	2.690 (68.33)
60	2.900 (73.66)	3.015 (76.58)	3.177 (80.70)	3.190 (81.03)



Socket Connector  
with Non-Strain Relief Cover

#### CWR-227

CONNECTOR DIMENSIONS			
NO. CONTS.	A	B	C
10	.400 (10.16)	.515 (13.08)	.677 (17.20)
14	.600 (15.24)	.715 (18.16)	.877 (22.28)
16	.700 (17.78)	.815 (20.70)	.977 (24.82)
20	.900 (22.86)	1.015 (25.78)	1.177 (29.90)
26	1.200 (30.48)	1.315 (33.40)	1.477 (37.52)
34	1.600 (40.64)	1.715 (43.56)	1.877 (47.68)
40	1.900 (48.26)	2.015 (51.18)	2.177 (55.30)
50	2.400 (60.96)	2.515 (63.88)	2.677 (68.00)
60	2.900 (73.66)	3.015 (76.58)	3.177 (80.70)



# Sockets

## Specifications and Ordering Information

### Specifications

- Contacts: phosphor bronze, standard.
- Contact Plating: 30 $\mu$  in. gold (in mating area) over 50 $\mu$  in. nickel, standard; 10 $\mu$  in. gold (in mating area) over 50 $\mu$  in. nickel, optional; 50 $\mu$  in. gold (in mating area) over 50 $\mu$  in. nickel, optional;
- Insulator Material: UL 94V-O flame-retardant thermoplastic
- Strain Relief Strap Material: insulated stainless steel
- Color: blue
- Operating Temperature: -55°C to +125°C
- Current Rating: 1A (maximum) per contact
- Dielectric Withstand Voltage: greater than 500 Vdc at sea level
- Insulation Resistance: greater than 5x10<sup>9</sup> ohms
- Withdrawal force 2-8 oz/contact, typical
- Cover pull-off force 8 oz/contact minimum (force along contacts' primary axes)

### How to Order Socket Connectors

**CWR-XXX-XX-00XX**

Type of Connector

- 210=Socket connector with strain relief (standard)
- 220=Socket connector without strain relief (standard)
- 217=Socket connector with central polarizing key and strain relief
- 227=Socket connector with central polarizing key, but without strain relief.

Number of Contacts  
(10, 14, 16, 20, 26, 34, 40,  
50, or 60)

Plating

- 0021=30 $\mu$  in. gold (in mating area) over 50 $\mu$  in. nickel (standard)
- 0000=10 $\mu$  in. gold (in mating area) over 50 $\mu$  in. nickel
- 0022=50 $\mu$  in. gold (in mating area) over 50 $\mu$  in. nickel. Mil-DTL-83503/7 approved, CWR-210 versions only
- 0203=100 $\mu$  in. tin