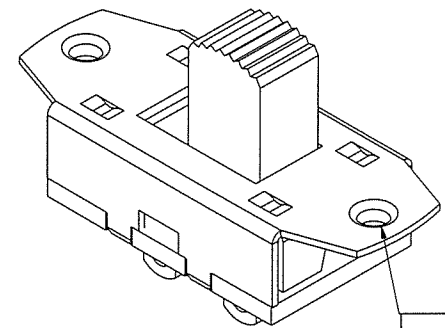


THIS INFORMATION IS CONFIDENTIAL AND PROPRIETARY TO CW INDUSTRIES INCORPORATED AND ITS AFFILIATES. IT MAY NOT BE DISCLOSED TO ANYONE OTHER THAN CW INDUSTRIES PERSONNEL, WITHOUT WRITTEN AUTHORIZATION FROM CW INDUSTRIES INCORPORATED, SOUTHAMPTON, PENNSYLVANIA USA.

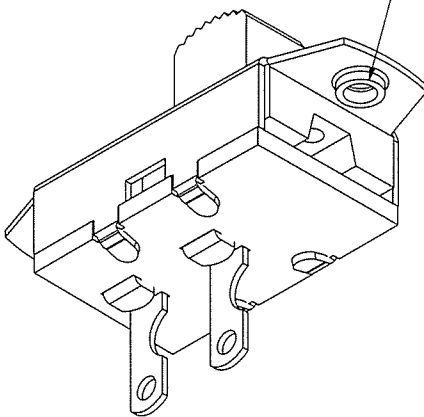
DIMENSIONS IN INCHES (MILLIMETERS)  
 DO NOT SCALE DRAWING .....

REVISIONS	0	NEW	FEB 06 2017
		CL 2/6/17	DGW 2/06/17

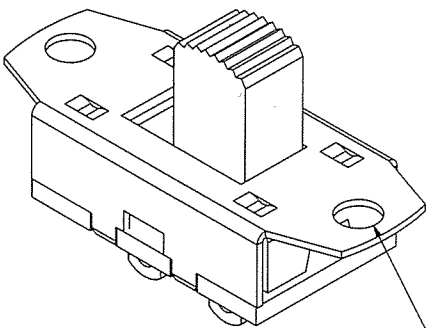
**Mounting Ears with E/T Holes**



4-40  
 Extrude & Tap  
 Mounting Holes  
 (Typ.)

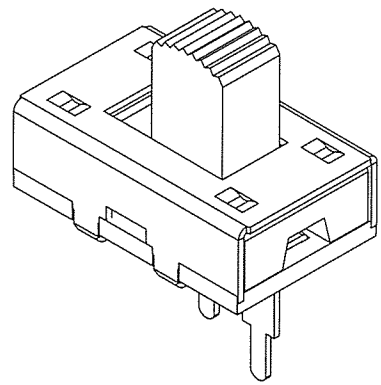


**Mounting Ears with Ø.100" Holes**



Ø.100  
 Mounting  
 Holes  
 (Typ.)

**No Mounting Ears**



**CW INDUSTRIES**  
 Southampton, Pa. 18986

TOLERANCES UNLESS OTHERWISE SPECIFIED  
 2 Place Decimal ± .010 METRIC  
 3 Place Decimal ± .005 1 Place Dec. ± .25mm  
 Angles ..... ± 1° 2 Place Dec. ± .13mm

Title: **MINIATURE SLIDE SWITCH MOUNTING OPTIONS**

Made for: CW IND.

Division: SWITCH

Drawn by: DGW 2/06/17

Checked by: G. Guld 2-6-17

Dwg. No.

Approval: *CL* 2/6/17

1 2 3 4 5 6 7 8 9 10