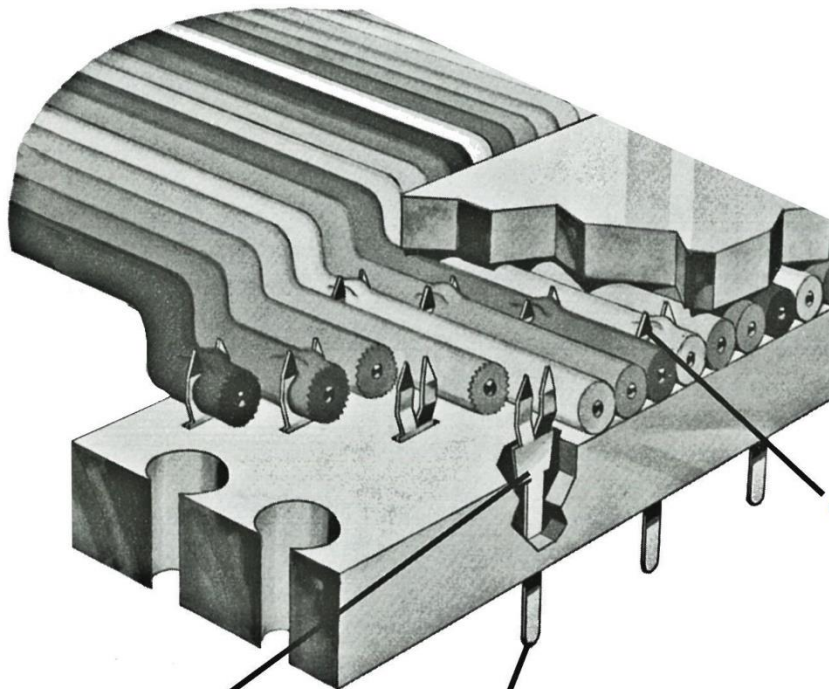


# MIL. PCB Connectors

The PCB connector is used when a permanent connection of flat cable to the PC board is required. The cable is terminated to the PCB connector making a reliable gas-tight connection with CW's patented Torq-Tite™ contacts. The connector's pins are then soldered to the board.

CW's PCB connectors are approved by the U.S. Defense Department and are qualified to Mil-DTL-83503/23.



- **No "bare shoulders".**

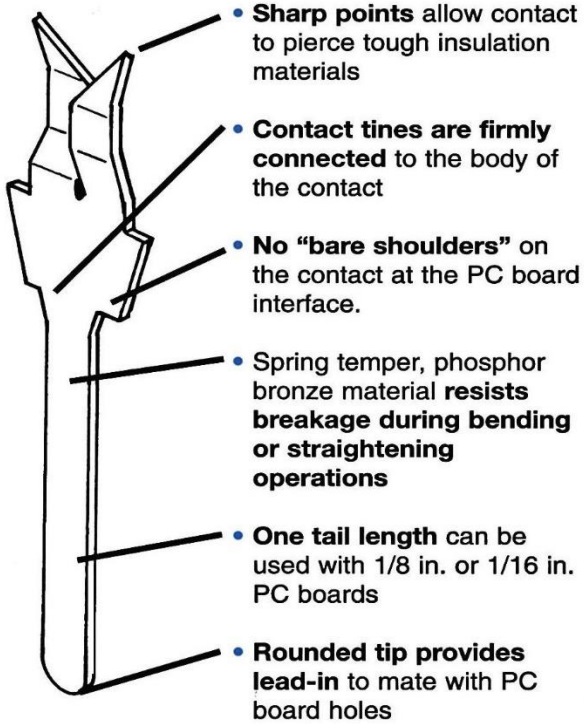
No exposure of unnecessary sections of the contact and possible shorting at the PC board interface.

- **Sturdy, yet flexible solder posts,** able to withstand bending and straightening.

- **Patented Torq-Tite™ contact** keeps conductor under constant tension. Assures a mechanically and electrically sound, gas-tight connection.

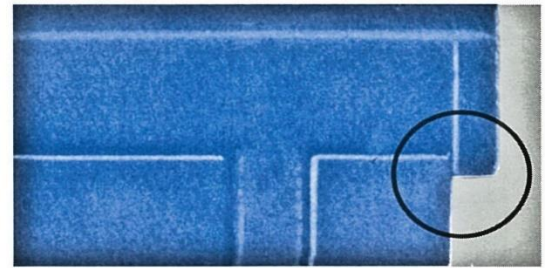
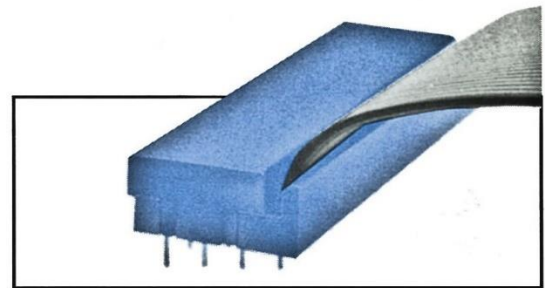
# MIL. PCB Connectors

## Contact



## PCB Connector Features

- 10, 20, 26, 34, 40, 50, pin versions
- Tin-lead plating.
- Rugged, lightweight UL 94V-0 thermoplastic construction
- Accepts 28-30 AWG stranded or solid conductors



## Assembly

To terminate CW PCB connectors to flat cable, use CT301 86/81 assembly press. The cable is applied directly to the IDC contacts in the connector base and then the cover is assembled.

