

# M-Series Pushbutton Switches

## Approvals:

Pending

## Contact Rating

10A 125/250 VAC

1/4 HP 125 VAC

10A 14 VDC

## Contact Material

Fine Silver

## Dielectric Strength

2000 VAC RMS

## Life

25,000 operations at max. rating - 100,000 mechanical

## Terminals

3/16" quick-connect or .050 x .031 p.c.

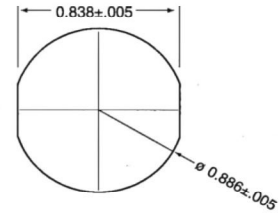
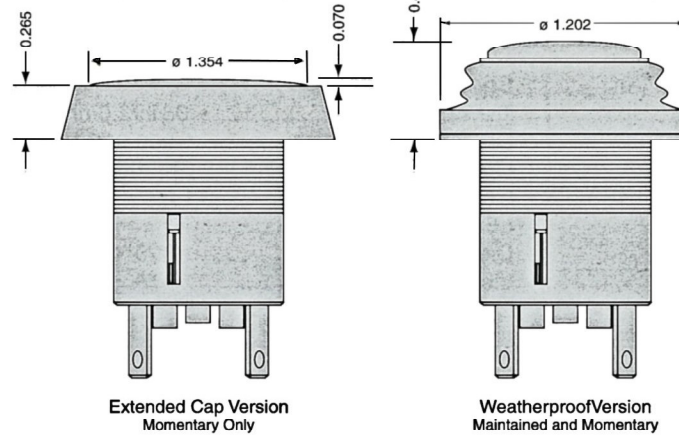
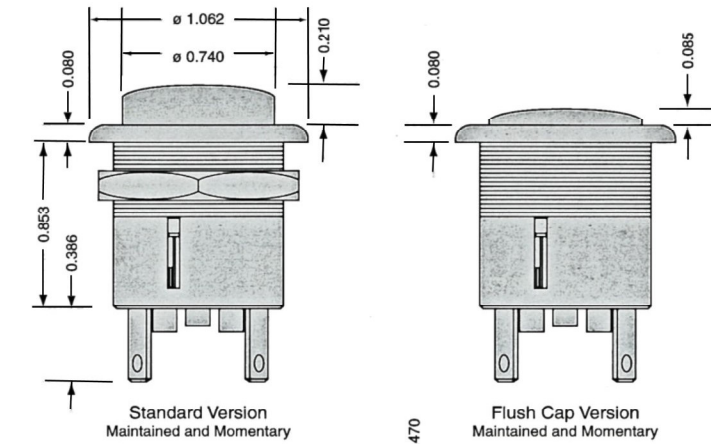
## Lamps

6, 12 and 28 volt incandescent lamps.

125 and 250 volt neon lamps.

6 or 12 volt LED's.

Circuit	Switching	Circuit Diagram (Lighted)	Circuit Diagram (Non-Lighted)
1	Single-Pole Single-Throw Normally Open		
3	Double-Pole Single-Throw Normally Open	N/A	
6	Single Pole Single-Throw Normally Open		N/A
7	Double-Pole Single-Throw Normally Open		N/A
D	Indicator Light Only		N/A



## Ordering Information:

