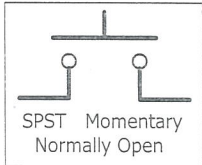
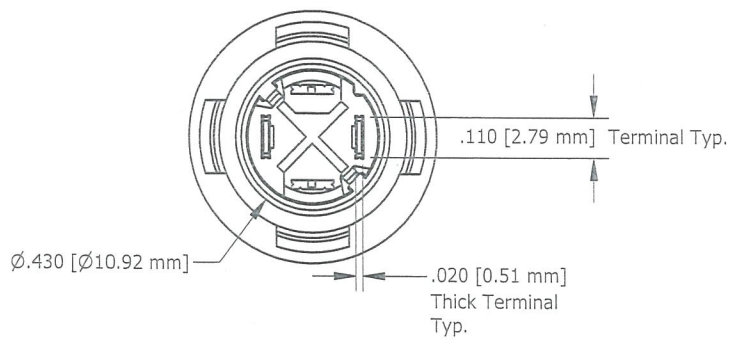
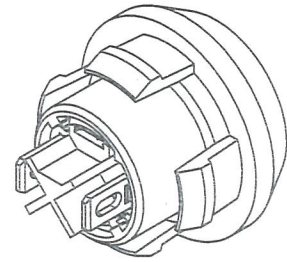
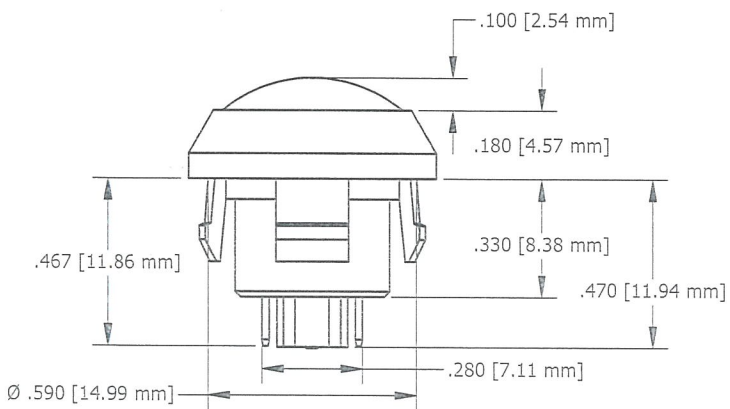
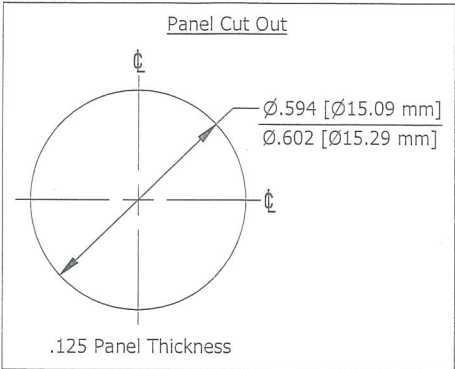
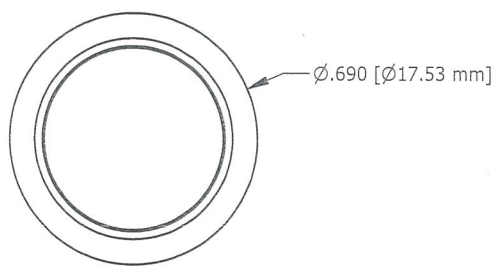


THIS INFORMATION IS CONFIDENTIAL AND PROPRIETARY TO CW INDUSTRIES INCORPORATED AND ITS AFFILIATES. IT MAY NOT BE DISCLOSED TO ANYONE, OTHER THAN CW INDUSTRIES PERSONNEL, WITHOUT WRITTEN AUTHORIZATION FROM CW INDUSTRIES INCORPORATED, SOUTHAMPTON, PENNSYLVANIA USA.



DIMENSIONS IN INCHES (MILLIMETERS)
DO NOT SCALE DRAWING

Dwg. No. LRSISG00990	
REVISIONS	0 NEW <i>Ce 2/16/21</i> 1 3 2021 DGW 2/16/21

- Features:
- * Function: SPST Normally Open Momentary
 - * Rating: 150mA 28VDC
 - * Solder Terminals - Gold Plated
 - * Moving Contact - Gold Plated

- Specifications:
- * Travel (nominal): 2.0 mm
 - * Life (max): 1,000,000 Cycles
 - * Operating Force (nominal): 3N Typical
 - * Dielectric Strength: 1,000 VAC
 - * Insulation Resistance: >10³ megaohms
 - * Contact Resistance: <10 milliohms (initial)
 - * Degree of Protection, IP65
 - * Operating Temperature: -40°C to +80°C

- Materials:
- Housing: Nylon 6/6 - Black
 - Actuator: Polycarbonate - Black
 - Base: Nylon 6/6 - Black
 - Spring: Stainless Steel
 - Dome Seal: Silicone Rubber
 - Terminals: Copper alloy, Gold Plated - 50µ in. thk.
 - Moving Contact: Copper alloy, Gold Plated - 50µ in. thk.

CW Industries
A Unit of Electro Switch Corp.

TOLERANCES UNLESS OTHERWISE SPECIFIED

2 Place Decimal = .010	METRIC
3 Place Decimal = .005	1 Place Dec. = .25mm
Angles = 1'	2 Place Dec. = .13mm

Made for: CWOSLO
 Drawn by: DGW 2/16/21
 Checked by: *G. GULD 2-16-21*
 Approval: *Ce 2/16/21*

Title: L SERIES ROUND SEALED, SNAP-IN PUSH BUTTON SPST SWITCH
Division: SWITCH
Dwg. No. LRSISG00990

MASTER