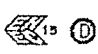

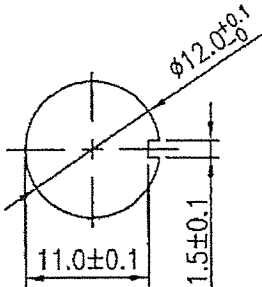
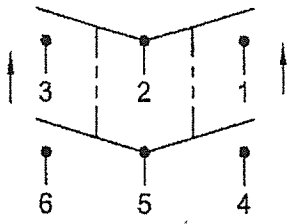


THIS INFORMATION IS CONFIDENTIAL AND PROPRIETARY TO CW INDUSTRIES INCORPORATED AND ITS AFFILIATES. IT MAY NOT BE DISCLOSED TO ANYONE, OTHER THAN CW INDUSTRIES PERSONNEL, WITHOUT WRITTEN AUTHORIZATION FROM CW INDUSTRIES INCORPORATED, SOUTHAMPTON, PENNSYLVANIA USA.

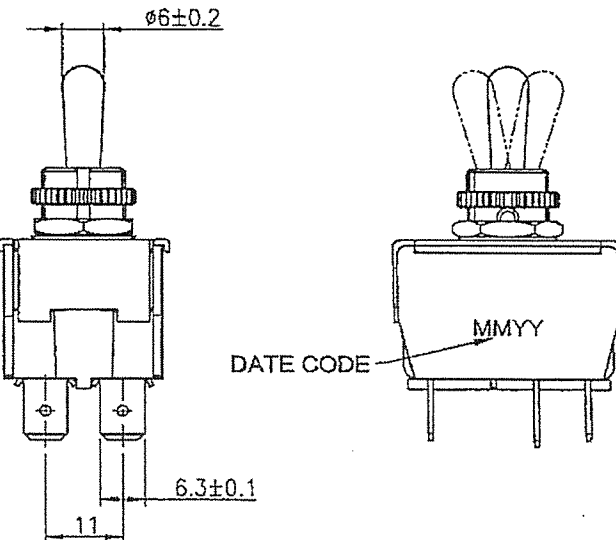
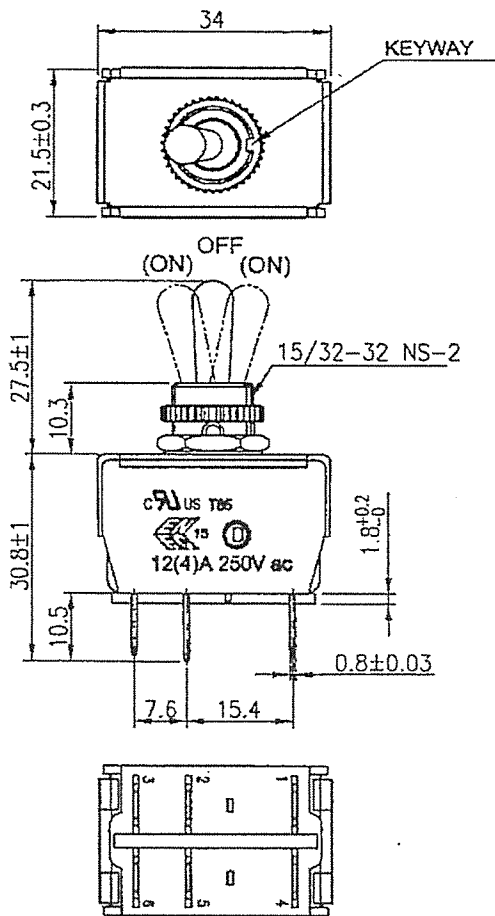
Ratings	12 (4) A 250V AC   US		Mounting Hole 	Circuit 
	Contact Resistance	50m ohm max.		
	Insulation Resistance	DC 500V 100M ohm Min.		
	Dielectric Strength	AC 1500V 1 minute		
	Operation Temperature	0° C ~ 85° C		
	Switch Function	6P DPDT (ON) - OFF - (ON)		

() = Momentary Function

MATERIAL:

Frame: Nylon 6/6, Black
 UL Flame: 94-V0
 Lever: Metal
 Terminal: Copper Alloy

Water proof and Dust Proof
 to fit IP-56



Order Chart					
Series	Lever Type	Metal			
GTS448	K	I	01	AHR	Knurl Nut
Function				Hex Nut	
Term. Type .250" SQ					
No Barrier					

Tolerances Unless Otherwise Specified +/-0.5.

RoHS Compliant
 R13-448K-1-01A-HR

7 Updated Order Chart, SCI part number & CWI logo APhilip 02/06/23
 6 Updated material notes & views. 3-21-13.

CW INDUSTRIES
 Southampton, Pa. 18966
 Tel 215.355.7080/www.cwind.com

Date Drawn: 1/28/11 Rev. 7 Unit: mm Checked By: G. Guld
 Title: TOGGLE SWITCH CW P/N: GTS448K101AHR