
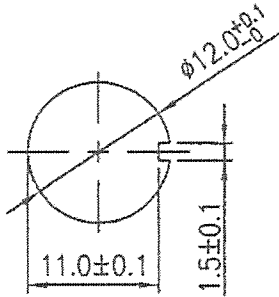
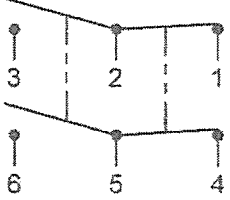
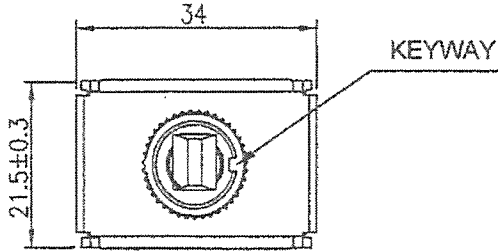


THIS INFORMATION IS CONFIDENTIAL AND PROPRIETARY TO CW INDUSTRIES INCORPORATED AND ITS AFFILIATES. IT MAY NOT BE DISCLOSED TO ANYONE, OTHER THAN CW INDUSTRIES PERSONNEL, WITHOUT WRITTEN AUTHORIZATION FROM CW INDUSTRIES INCORPORATED, SOUTHAMPTON, PENNSYLVANIA USA.

Rating	12 (4)A 250V ac 			
	Contact Resistance	50m ohm Max.		
	Insulation Resistance	DC 500V 100M ohm Min.		
	Dielectric Strength	AC 1500V 1 minute		
	Operation Temperature	0°C ~ 85°C		
Switch Function	6P DPDT ON - ON			



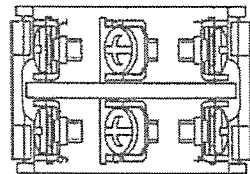
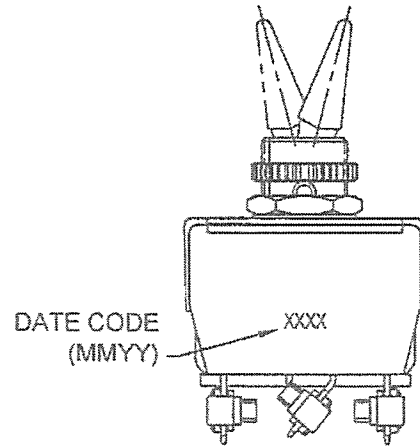
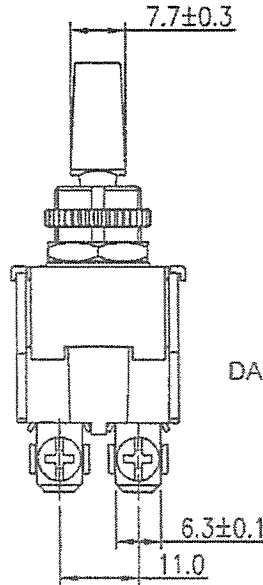
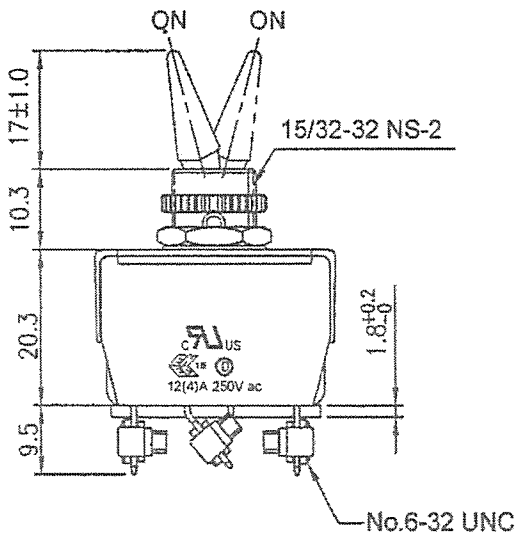
MATERIAL:

Frame: Nylon 6/6, Black
UL Flame: 94-V0

Lever: Nylon 66+30%GF
UL Flame: 94-V0

Terminal: Copper Alloy

Water proof and Dust Proof
to fit IP-56



Order Chart										
Series	Lever Type			Flat						
GTS448	B	3	08	A	Y	H	R	Knuri Nut		
Function				Hex Nut						
Term. Type				Screw			IP56			
No Barrier										

Tolerances +/- 0.5 Unless Otherwise Specified.

R13-448B3-08AY-HR

1 Removed CW logo

Aphilip 02/06/23

CW INDUSTRIES
Southampton, Pa. 18966
Tel 215.355.7080/www.cwind.com

Date Drawn: DW 4/15/21

Rev. 1

Unit: mm

Checked By: *G. GULD*

Title:

TOGGLE SWITCH

CW P/N:

GTS448B308AYHR

MASTER