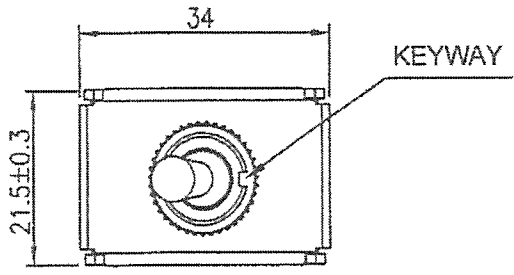
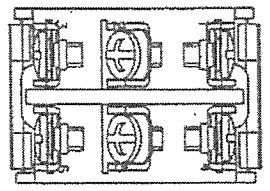
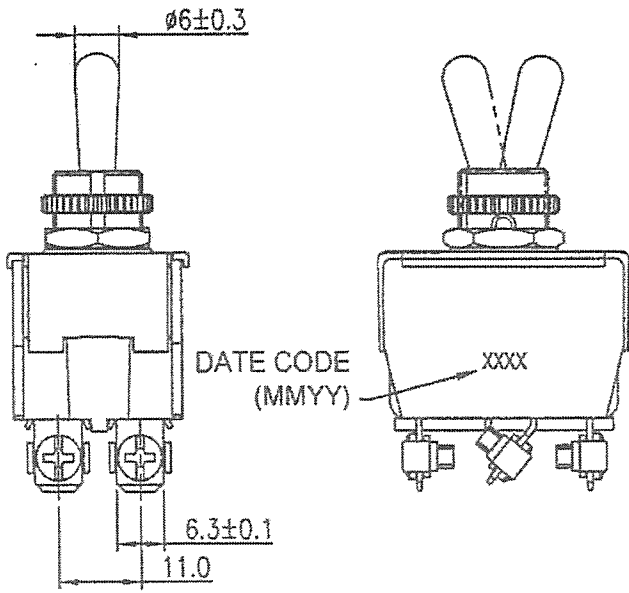
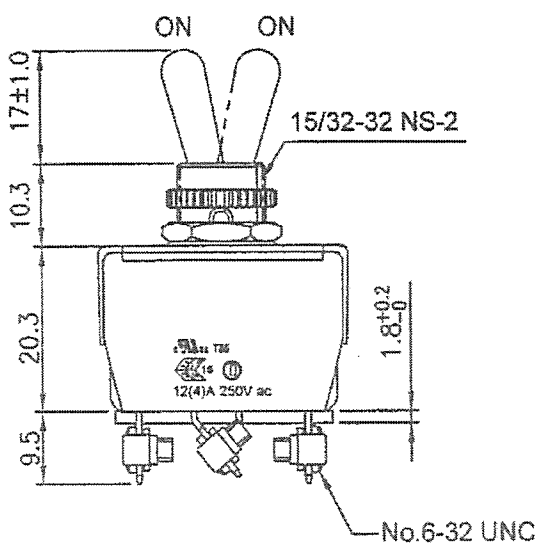


THIS INFORMATION IS CONFIDENTIAL AND PROPRIETARY TO CW INDUSTRIES INCORPORATED AND ITS AFFILIATES. IT MAY NOT BE DISCLOSED TO ANYONE, OTHER THAN CW INDUSTRIES PERSONNEL, WITHOUT WRITTEN AUTHORIZATION FROM CW INDUSTRIES INCORPORATED, SOUTHAMPTON, PENNSYLVANIA USA.

Rating	12 (4)A 250V ac		Mounting Hole	Circuit Diagram
Contact Resistance	50m ohm Max.			
Insulation Resistance	DC 500V 100M ohm Min.			
Dielectric Strength	AC 1500V 1 minute			
Operation Temperature	0°C ~ 85°C			
Switch Function	6P DPDT ON - ON			



MATERIAL:
 Frame: Nylon 6/6, Black
 UL Flame: 94-V0
 Lever: Metal
 Terminal: Copper Alloy
 Water proof and Dust Proof
 to fit IP-56



Order Chart	
Series	Lever Type Std.
GTS448 B 1 08 A Y H R	Knurl Nut
Function	Hex Nut
Term. Type Screw	IP56
No Barrier	

Tolerances +/- 0.5 Unless Otherwise Specified.

R13-448B1-08AY-HR

1 Removed CW logo Aphilip 02/06/23

CW INDUSTRIES
 Southampton, Pa. 18966
 Tel 215.355.7080/www.cwind.com

Date Drawn: DW 4/15/21

Rev. 1

Unit: mm

Checked By: *G. GOLD*

Title: **TOGGLE SWITCH**

CW P/N: **GTS448B108AYHR**

MASTER