
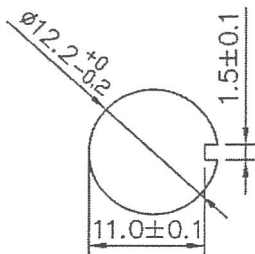
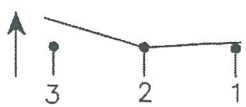


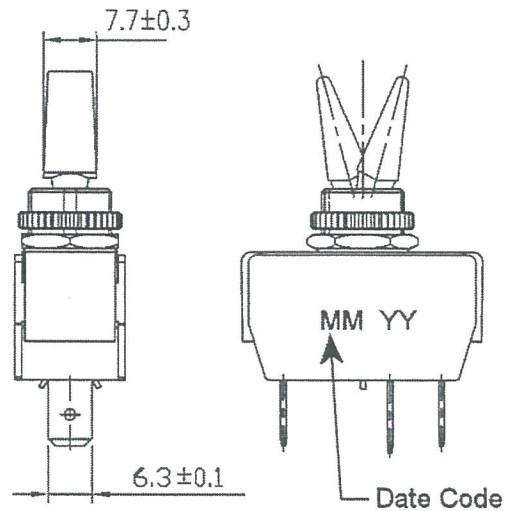
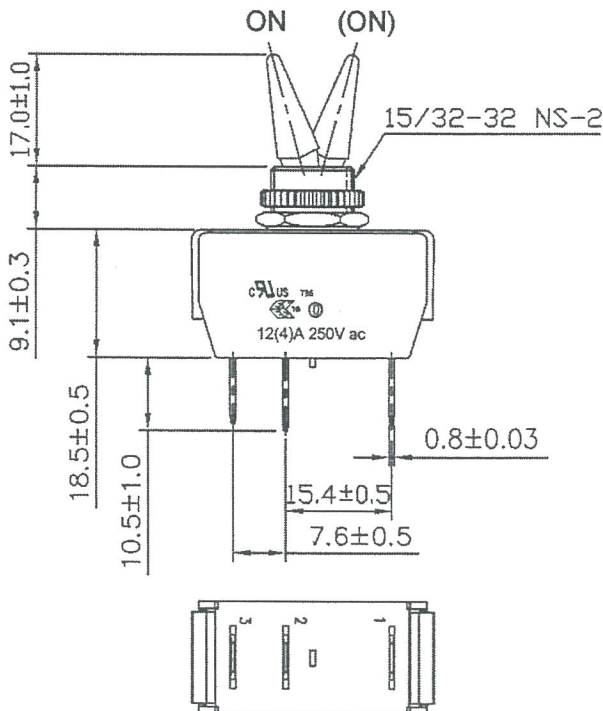
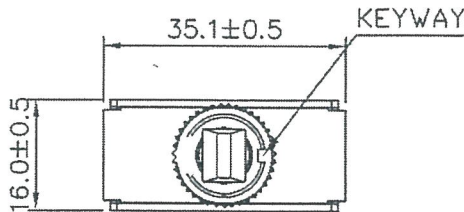
THIS INFORMATION IS CONFIDENTIAL AND PROPRIETARY TO CW INDUSTRIES INCORPORATED AND ITS AFFILIATES. IT MAY NOT BE DISCLOSED TO ANYONE, OTHER THAN CW INDUSTRIES PERSONNEL, WITHOUT WRITTEN AUTHORIZATION FROM CW INDUSTRIES INCORPORATED, SOUTHAMPTON, PENNSYLVANIA USA.

Rating	12(4)A 250V ac 		
Contact Resistance	50m ohm Max		
Insulation Resistance	DC 500V 100M ohm Min		
Dielectric Strength	AC 1500V 1 minute		
Operation Temperature	0°C~85°C		
Switch Function	3P SPDT ON - (ON)		

( ) = Momentary Function

Material:

- Frame: Nylon 66
- Cover: PA 66 + 30% GF
- Lever: Plastic
- Terminal: Copper Alloy
- Contact: Copper Alloy
- Water proof and Dust proof to fit IP56



ORDER CHART	
Series	Function
GTS447	I 3 01 H R - Knurli Nut
Paddle Type	
Terminal Type	
Hex Nut	

RoHS Compliant  
R13-447I-3-01-HR

1 Updated Order Chart, SCI part number & CWI logo APhilip 06/06/23

**CW INDUSTRIES**  
Southampton, Pa. 18966  
Tel 215.355.7080/www.cwind.com

Date Drawn: 8/22/12

Rev. 1

Unit: mm

Checked By: *G. GULD*

Title:

CW P/N:

TOGGLE SWITCH

GTS447I301HR

MASTER