
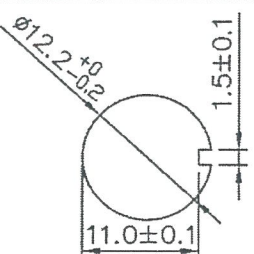

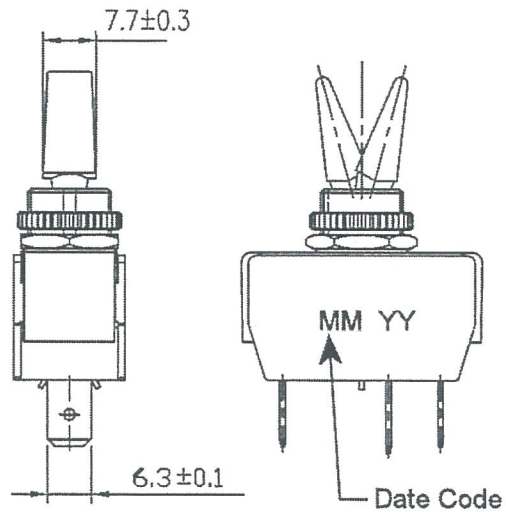
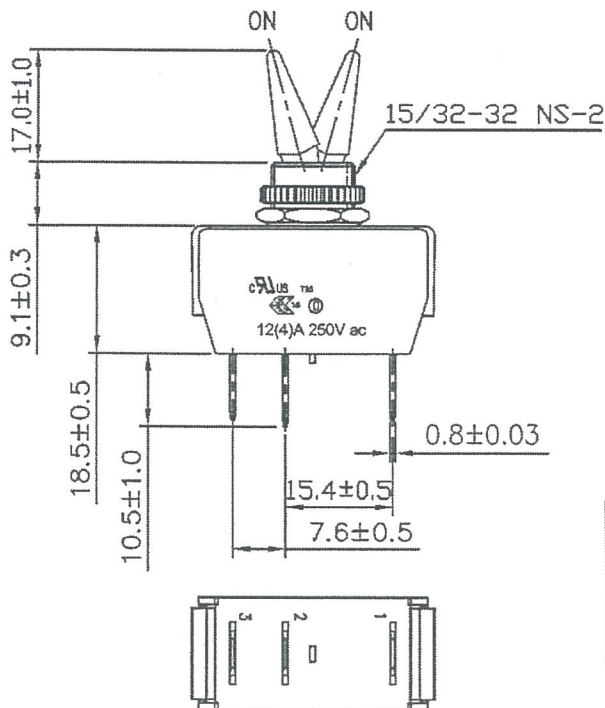
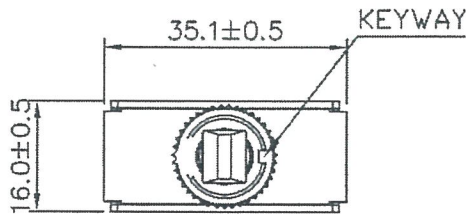


THIS INFORMATION IS CONFIDENTIAL AND PROPRIETARY TO CW INDUSTRIES INCORPORATED AND ITS AFFILIATES. IT MAY NOT BE DISCLOSED TO ANYONE, OTHER THAN CW INDUSTRIES PERSONNEL, WITHOUT WRITTEN AUTHORIZATION FROM CW INDUSTRIES INCORPORATED, SOUTHAMPTON, PENNSYLVANIA USA.

| | | | |
|-----------------------|--|--|---|
| Rating | 12(4)A 250V ac  |  |  |
| Contact Resistance | 50m ohm Max | | |
| Insulation Resistance | DC 500V 100M ohm Min | | |
| Dielectric Strength | AC 1500V 1 minute | | |
| Operation Temperature | 0°C~85°C | | |
| Switch Function | 3P SPDT ON-ON | | |

Material:

- Frame: Nylon 66
- Cover: PA 66 + 30% GF
- Lever: Plastic
- Terminal: Copper Alloy
- Contact: Copper Alloy
- Water proof and Dust proof to fit IP56



| ORDER CHART | |
|---------------|------------------------|
| Series | Function |
| GTS447 | C 3 01 H R - Knurl Nut |
| Paddle Type | |
| Terminal Type | |
| Hex Nut | |

RoHS Compliant
R13-447C-3-01-HR

3 Updated Order Chart, SCI part number & CWI logo APhilip 06/06/23

2 12(4)A 250Vac replaced 20A 277Vac, 1 HP 277Vac ratings. Added notes & date code 8/21/12.

CW INDUSTRIES
Southampton, Pa. 18966
Tel 215.355.7080/www.cwind.com

Date Drawn: 2/03/09

Rev. 3

Unit: mm

Checked By: *G. GOLD*

Title: TOGGLE SWITCH

CW P/N: GTS447C301HR

MASTER