
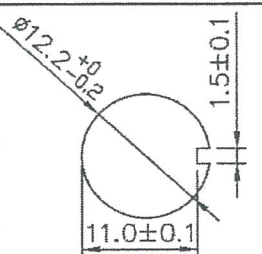

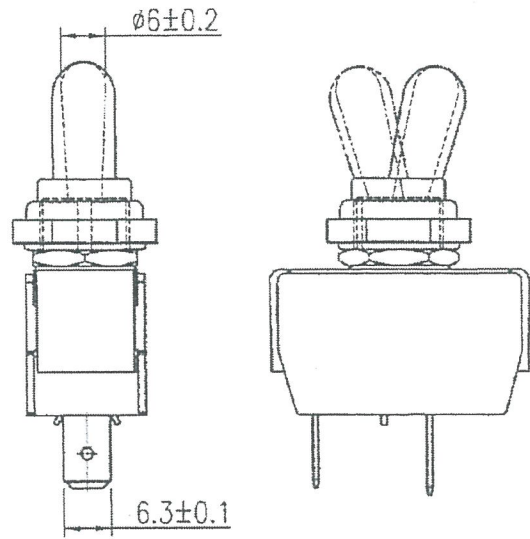
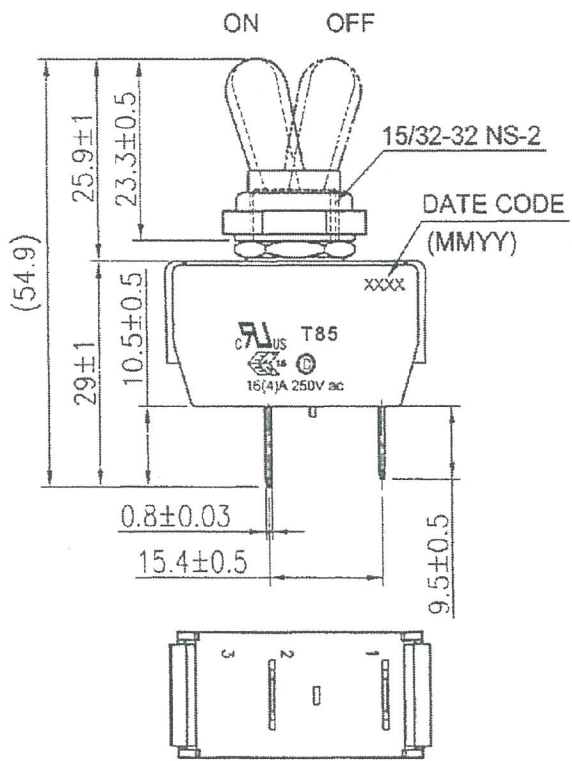
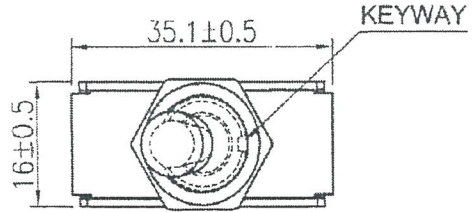


THIS INFORMATION IS CONFIDENTIAL AND PROPRIETARY TO CW INDUSTRIES INCORPORATED AND ITS AFFILIATES. IT MAY NOT BE DISCLOSED TO ANYONE, OTHER THAN CW INDUSTRIES PERSONNEL, WITHOUT WRITTEN AUTHORIZATION FROM CW INDUSTRIES INCORPORATED, SOUTHAMPTON, PENNSYLVANIA USA.

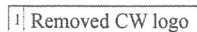
Rating	16(4)A 250V AC 	Mounting Hole	Circuit
Contact Resistance	50m ohm Max		
Insulation Resistance	DC 500V 100M ohm Min		
Dielectric Strength	AC 1500V 1minute		
Switch Function	2P SPST ON-OFF		
Operation Temperature	0°C~85°C		

Material:
 Frame: Nylon 66
 Cover: PA#66+30%GF
 Terminal: Copper Alloy
 Contact: Copper Alloy
 Water proof and dust proof: IP-56
 Rubber Boot Assy.: Black



ORDER CHART	
Series	Function
GTS447	A 1 01 H T
Paddle Type	Rubber Boot Assy.
Terminal Type	Hex Nut

R13-447A1-01-HT

 APhilip 06/06/23

CW INDUSTRIES
 Southampton, Pa. 18966
 Tel 215.355.7080/www.cwind.com

Date Drawn: 10/01/19

Rev. 1

Unit: mm

Checked By: **G. GOLD**

Title: **TOGGLE SWITCH**

CW P/N: **GTS447A101HT**

MASTER