
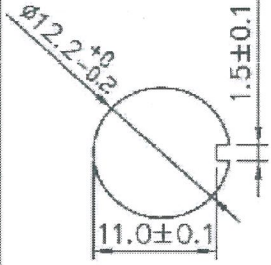
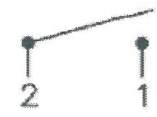
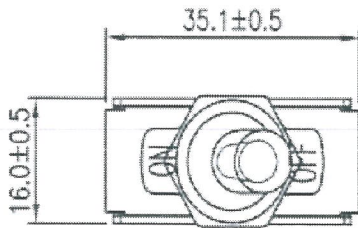
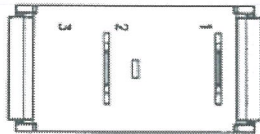
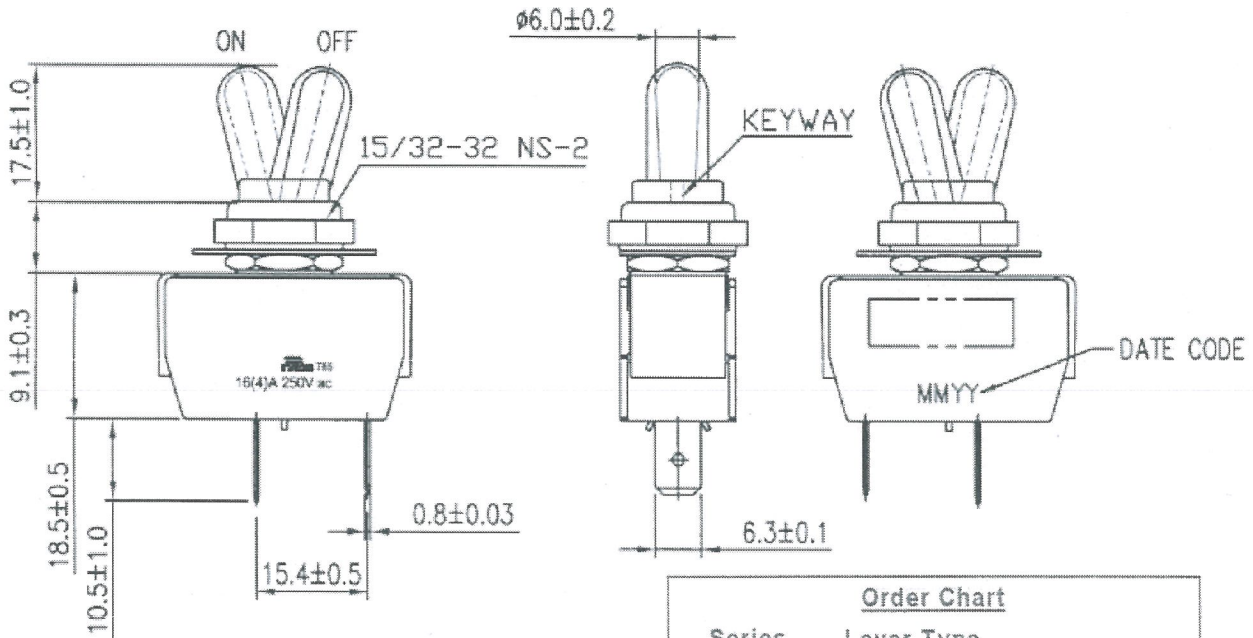


THIS INFORMATION IS CONFIDENTIAL AND PROPRIETARY TO CW INDUSTRIES INCORPORATED AND ITS AFFILIATES. IT MAY NOT BE DISCLOSED TO ANYONE, OTHER THAN CW INDUSTRIES PERSONNEL, WITHOUT WRITTEN AUTHORIZATION FROM CW INDUSTRIES INCORPORATED, SOUTHAMPTON, PENNSYLVANIA USA.

|                              |  |  |   |
|------------------------------|--|--|---|
| <b>Rating</b>                | 16(4)A 250V AC  |  |  |
| <b>Contact Resistance</b>    | 50m ohm Max  |  |   |
| <b>Insulation Resistance</b> | DC 500V 100M ohm Min   |  |   |
| <b>Dielectric Strength</b>   | AC 1500V 1minute   |  |   |
| <b>Switch Function</b>       | 2P SPST ON-OFF   |  |   |
| <b>Operation Temperature</b> | 0°C~85°C   |  |   |



**MATERIAL:**  
 Frame: Nylon 66  
 Cover: PA#66+30%GF  
 Terminal: Copper Alloy  
 Contact: Copper Alloy  
 Water proof and dust proof to fit IP-56



| Order Chart |            |   |    |                   |   |   |
|-------------|------------|---|----|-------------------|---|---|
| Series      | Lever Type |   |    | Rubber Boot       |   |   |
| GTS447      | A          | I | 01 | H                 | P | T |
| Function    |            |   |    | ON/OFF Face Plate |   |   |
| Term. Type  |            |   |    | Hex Nut           |   |   |

RoHS Compliant

R13-447A-1-01-HPT

1 Updated Order Chart, SCI part number & CWI logo APhilip 02/02/23

**cw INDUSTRIES**  
 Southampton, Pa. 18966  
 Tel 215.355.7080/www.cwind.com

Date Drawn: 4/13/12.

Rev. 1

Unit: mm

Checked By: *G. Guld*

Title: **TOGGLE SWITCH**

CW P/N: **GTS447A101HPT**

**MASTER**