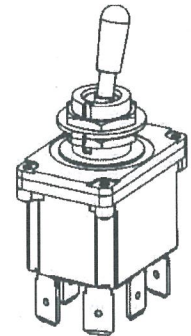
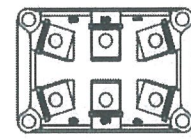
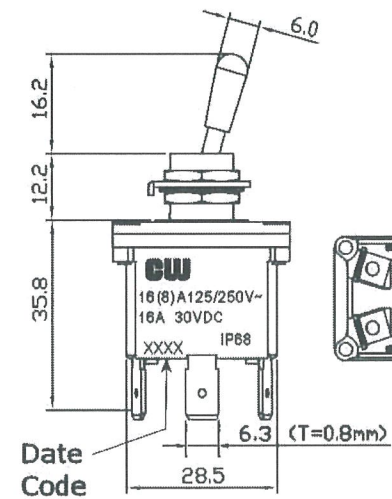
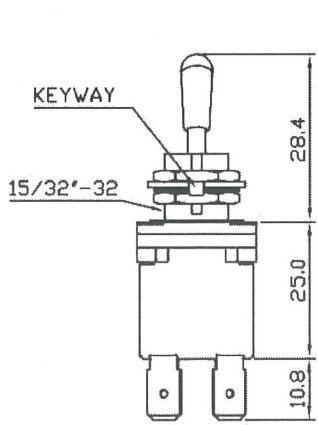
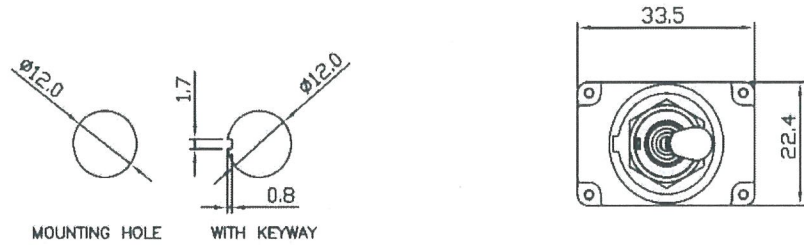


THIS INFORMATION IS CONFIDENTIAL AND PROPRIETARY TO CW INDUSTRIES INCORPORATED AND ITS AFFILIATES. IT MAY NOT BE DISCLOSED TO ANYONE, OTHER THAN CW INDUSTRIES PERSONNEL, WITHOUT WRITTEN AUTHORIZATION FROM CW INDUSTRIES INCORPORATED, SOUTHAMPTON, PENNSYLVANIA USA.

SPECIFICATION:

Contact resistance: 20m ohm max. (initial)
 Insulation resistance: 100M ohm min. (at 500V DC)
 Dielectric strength: 1,500V AC 50/60 Hz for 1 minute
 Service life: Mechanically: 50,000 operations min.
 Electrically: 10,000 operations min.
 Rating: 16(8)A 125/250V ~ T55
 Function: (ON) - NONE - ON DPDT



KEYWAY POSITION
 Waterproof rating: IP68
 Actuator: Brass / Dull Nickel Plated

() = Momentary Function

Order Chart				
Series	Terminal Type	Label Type	Terminal Label Type	
GTB4	B	1	8	C
	Lever Type	Position/Function		

NOTE: TOLERANCES UNLESS OTHERWISE SPECIFIED : $\pm \begin{matrix} .02 \\ 0.5 \end{matrix}$ (mm).

RoHS Compliant TB4-AB18-1C

MASTER

CW INDUSTRIES
 Southampton, Pa. 18966
 Tel 215.355.7080/www.cwind.com

Date Drawn: 3-23-12 Rev. 3
 Title: **TOGGLE SWITCH**

Unit: mm
 Checked By: *G. GOLD*
 CW P/N: **GTB4B18C**

3	Redrawn. Service life 50,000 & 10,000 was 100,000 & 30,000. DW 12/5/22.
2	Redrawn & updated views and spec's. Rating 16(8)A 125/250vac was 12A 125/250vac. CW p/n was changed from GTB4B18 to GTB4B18C. DGW 5/3/22
1	Redrawn. 6.3 was 4.7. DW 12/18/20