

THIS INFORMATION IS CONFIDENTIAL AND PROPRIETARY TO CW INDUSTRIES INCORPORATED AND ITS AFFILIATES. IT MAY NOT BE DISCLOSED TO ANYONE, OTHER THAN CW INDUSTRIES PERSONNEL, WITHOUT WRITTEN AUTHORIZATION FROM CW INDUSTRIES INCORPORATED, SOUTHAMPTON, PENNSYLVANIA USA.

SPECIFICATION:

Contact resistance: 20m ohm max. (initial)
 Insulation resistance: 100M ohm min. (at 500V DC)
 Dielectric strength: 1,500V AC 50/60 Hz for 1 minute
 Service life: Mechanically: 50,000 operations min.
 Electrically: 10,000 operations min.

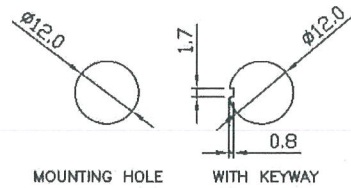
Rating: 16(8)A 125/250V ~ T55

Function: OFF - ON DPST

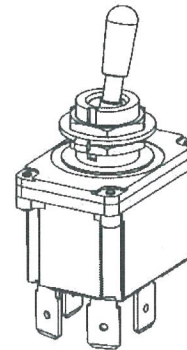
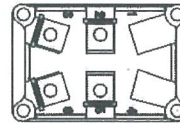
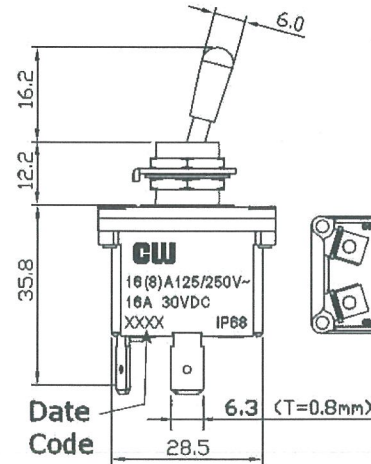
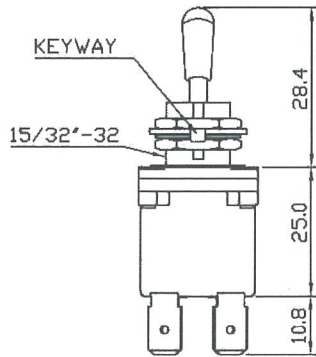
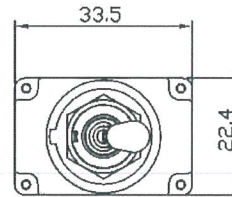
KEYWAY
POSITION

Waterproof rating: IP68

Actuator: Brass / Dull Nickel Plated



MOUNTING HOLE WITH KEYWAY



Order Chart

Series	Terminal Label	
	Type	Type
GTB4	B	1 2 C
	Lever Type	Position/Function

NOTE: TOLERANCES UNLESS OTHERWISE SPECIFIED : \pm .02 / 0.5 (mm).

RoHS Compliant

TB4-AB12-1C

MASTER

CW INDUSTRIES
 Southampton, Pa. 18966
 Tel 215.355.7080/www.cwind.com

Date Drawn: 3-26-12

Rev. 3

Unit: mm

Checked By: *G. GULD*

Title: **TOGGLE SWITCH**

CW P/N:

GTB4B12C

3	Redrawn. Service life 50,000 & 10,000 was 100,000 & 30,000. DW 12/5/22.
2	Redrawn & updated views and spec's. Rating 16(8)A 125/250vac was 12A 125/250vac. CW p/n was changed from GTB4B12 to GTB4B12C. DGW 5/3/22
1	Redrawn. 6.3 was 4.7. DW 12/18/20