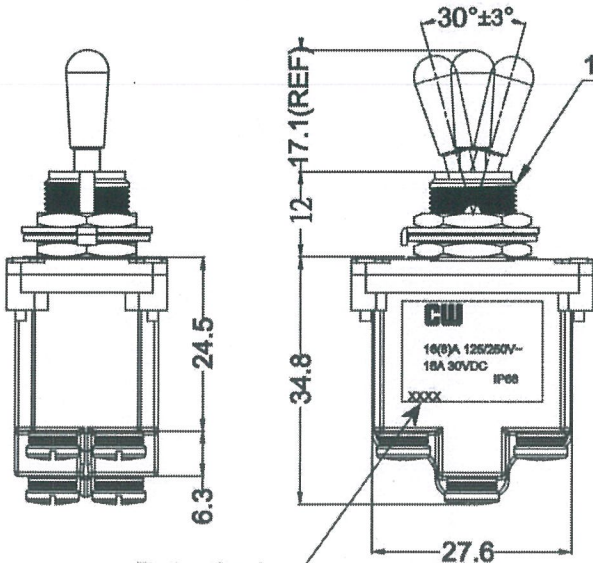
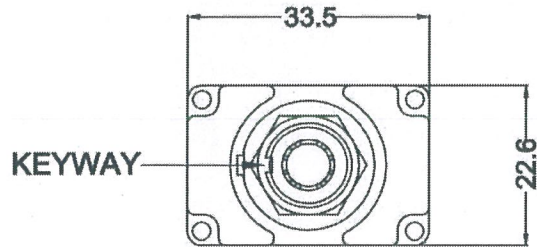
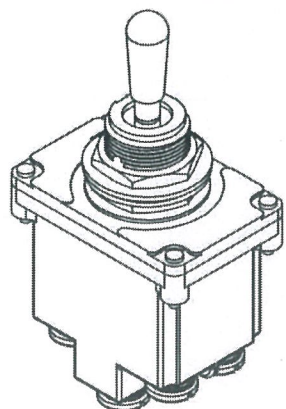


THIS INFORMATION IS CONFIDENTIAL AND PROPRIETARY TO CW INDUSTRIES INCORPORATED AND ITS AFFILIATES. IT MAY NOT BE DISCLOSED TO ANYONE, OTHER THAN CW INDUSTRIES PERSONNEL, WITHOUT WRITTEN AUTHORIZATION FROM CW INDUSTRIES INCORPORATED, SOUTHAMPTON, PENNSYLVANIA USA.

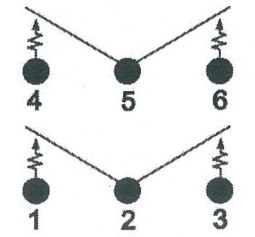


Date Code

3x6-32 UNC 2B

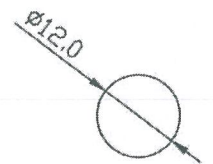


Rating: 16(8)A 125/250V~ T55
 Electrical Life: 10,000 cycles
 Mechanical Life: 50,000 cycles
 Contact resistance: 20mΩ Initial (MAX),
 Insulation resistance: 500VDC - 100MΩ (MIN).
 Dielectric Strength:
 (1) 1500VAC For 1 minute (Terminal to Enclouse)
 (2) 500VAC For 1 minute (Terminal to Terminal)
 Degree of protection: IP68 (Above the panel)
 Actuator: Brass/Dull Nickel Plated

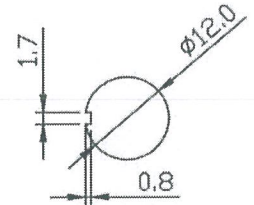


CIRCUIT: DPDT
 (ON) - OFF - (ON)
 () = Momentary function

SWITCH FUNCTION		
(ON)	OFF	(ON)
(1-2)	OFF	(2-3)
(4-5)		(5-6)



MOUNTING HOLE



WITH KEYWAY

Order Chart	
Series	Terminal Type
GTB3	B 5 7 C
Lever Type	Position/Function

NOTE: TOLERANCES UNLESS OTHERWISE SPECIFIED : ± .02 / 0.5 (mm).

MASTER

TB3-AB57-1C

CW INDUSTRIES
 Southampton, Pa. 18966
 Tel 215.355.7080/www.cwind.com

Date Drawn: DW 12/23/14 Rev. 3
 Title: TOGGLE SWITCH

Unit: mm
 Checked By: G. GULD
 CW P/N: GTB3B57C

3	Redrawn. Updated Spec's., Screw Type & added Circuit diagram & Switch Function chart. DW 7/20/23
2	Redrawn. Service life 50,000 & 10,000 was 100,000 & 30,000. DW 12/5/22.
1	P/N GTB3B57C was GTB3B57 & 16(8)A 125/250V was 12A 125/250V. Updated & Redrawn. DW 5/12/22