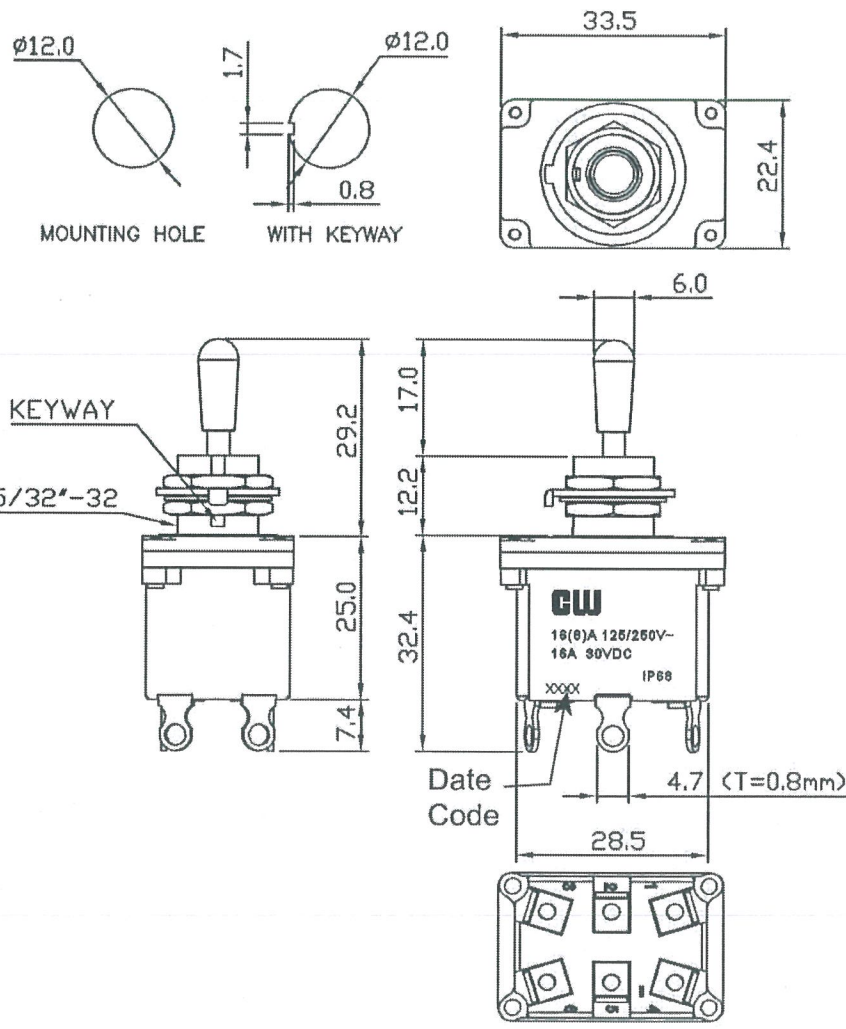


THIS INFORMATION IS CONFIDENTIAL AND PROPRIETARY TO CW INDUSTRIES INCORPORATED AND ITS AFFILIATES. IT MAY NOT BE DISCLOSED TO ANYONE, OTHER THAN CW INDUSTRIES PERSONNEL, WITHOUT WRITTEN AUTHORIZATION FROM CW INDUSTRIES INCORPORATED, SOUTHAMPTON, PENNSYLVANIA USA.



Specification:

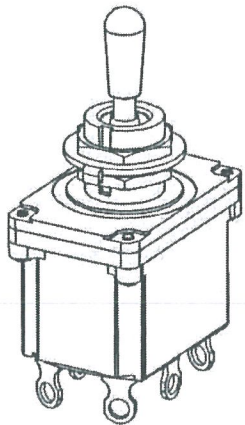
Contact Resistance: 20mΩ max. (initial)
Insulation Resistance: 100MΩ min. (at 500V DC)
Dielectric Strength: 1,500V AC 50/60 Hz for 1 minute
Service Life: Mechanically: 50,000 Operations min.
Electrically: 10,000 Operations min.

Rating: 16(8)A 125/250V ~ T55

Function: (ON) - OFF - ON

Keyway
 Position () = Momentary

Brass Lever
 Solder Terminals
 IP68 Rating



Order Chart				
Terminal		Label Type		
Series	Type			
GTB3	B	3	5	C
Lever Type		Position/ Function		

Tolerances unless otherwise specified : ± .012 (mm).
 0.3

MASTER

TB3-AB35-1C

CW INDUSTRIES Southampton, Pa. 18966 Tel 215.355.7080/www.cwind.com	Date Drawn: 10/18/17	Rev. 2	Unit: mm	Checked By: <i>G. GULD</i>	2 Redrawn. Service life 50,000 & 10,000 was 100,000 & 30,000. DW 12/5/22.
	Title: TOGGLE SWITCH		CW P/N: GTB3B35C		1 P/N GTB3B35C was GTB3B35 & 16(8)A 125/250V was 12A 125/250V. Updated & Redrawn. DGW 5/12/22