

THIS INFORMATION IS CONFIDENTIAL AND PROPRIETARY TO CW INDUSTRIES INCORPORATED AND ITS AFFILIATES. IT MAY NOT BE DISCLOSED TO ANYONE, OTHER THAN CW INDUSTRIES PERSONNEL, WITHOUT WRITTEN AUTHORIZATION FROM CW INDUSTRIES INCORPORATED, SOUTHAMPTON, PENNSYLVANIA USA.

SPECIFICATION:

Contact resistance: 20m ohm max. (initial)
 Insulation resistance: 100M ohm min. (at 500V DC)
 Dielectric strength: 1,500V AC 50/60 Hz for 1 minute
 Service life: Mechanically: 50,000 operations min.
 Electrically: 10,000 operations min.

Rating: 16(8)A 125/250V~T55

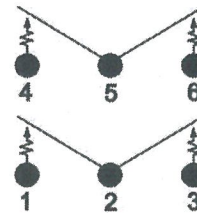
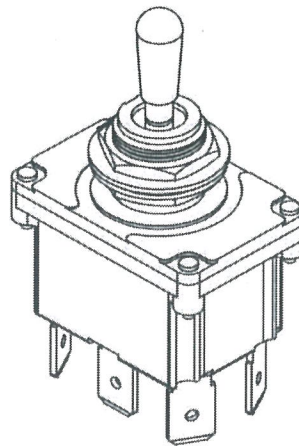
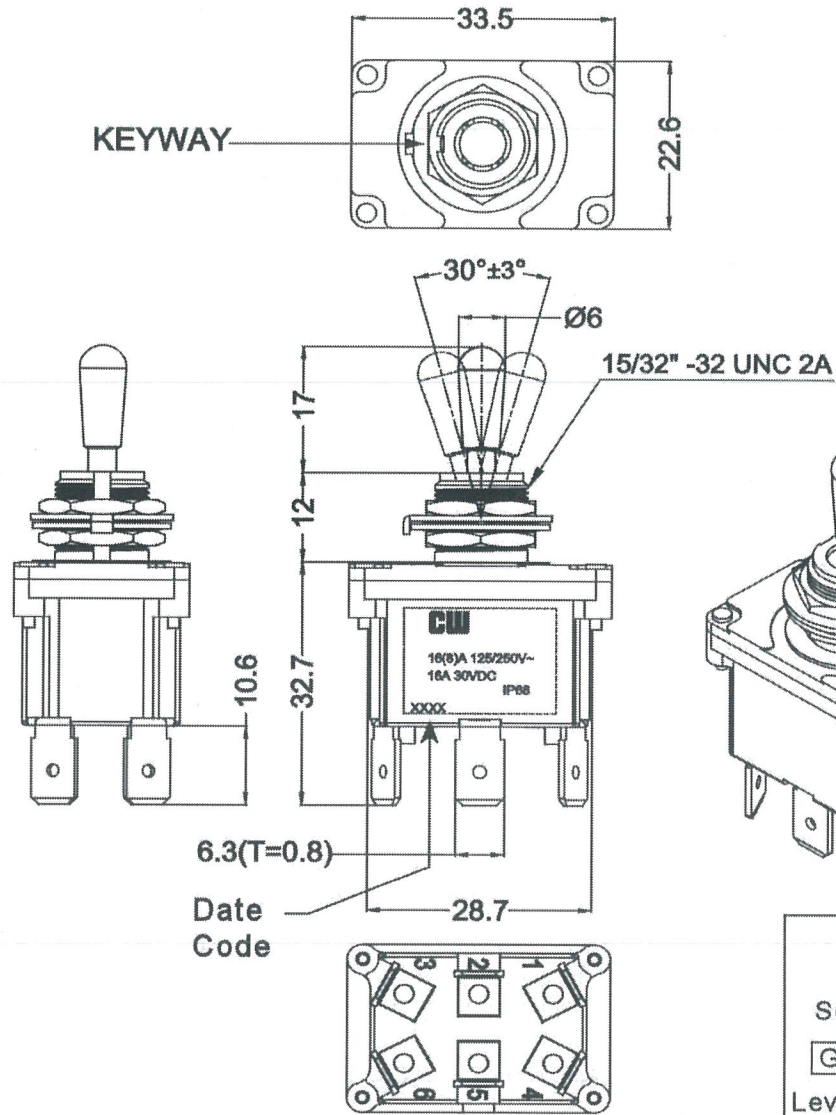
Function: (ON) - OFF - (ON) DPDT

KEYWAY
POSITION

Waterproof rating: IP68

Actuator: Brass / Dull Nickel Plated

() = Momentary Function

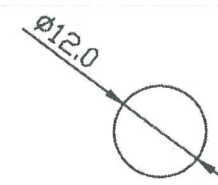


SWITCH FUNCTION		
(ON) (1-2)	OFF	(ON) (2-3)
(4-5)	OFF	(5-6)

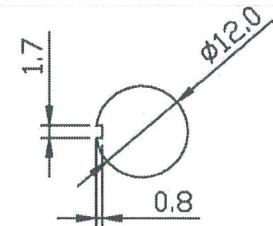
() = Momentary function

Order Chart	
Series	Terminal Type
GTB3	B 1 7 C
Lever Type	Position/ Function

Label Type



MOUNTING HOLE



WITH KEYWAY

NOTE: TOLERANCES UNLESS OTHERWISE SPECIFIED : ± 0.02 / 0.5 (mm).

RoHS Compliant

TB3-AB17-1C

MASTER

CW INDUSTRIES Southampton, Pa. 18966 Tel 215.355.7080/www.cwind.com	Date Drawn: 3-26-12	Rev. 2	Unit: mm	Checked By: <i>G. GULD</i>	2 Redrawn. Service life 50,000 & 10,000 was 100,000 & 30,000. DW 12/5/22. 1 P/N GTB3B17C was GTB3B17 & 16(8)A 125/250V was 12A 125/250V. Updated & Redrawn. DGW 4/29/22
	Title: TOGGLE SWITCH	CW P/N: GTB3B17C			