

THIS INFORMATION IS CONFIDENTIAL AND PROPRIETARY TO CW INDUSTRIES INCORPORATED AND ITS AFFILIATES. IT MAY NOT BE DISCLOSED TO ANYONE, OTHER THAN CW INDUSTRIES PERSONNEL, WITHOUT WRITTEN AUTHORIZATION FROM CW INDUSTRIES INCORPORATED, SOUTHAMPTON, PENNSYLVANIA USA.

SPECIFICATION:

Contact resistance: 20m ohm max. (initial)
 Insulation resistance: 100M ohm min. (at 500V DC)
 Dielectric strength: 1,500V AC 50/60 Hz for 1 minute
 Service life: Mechanically: 50,000 operations min.
 Electrically: 10,000 operations min.

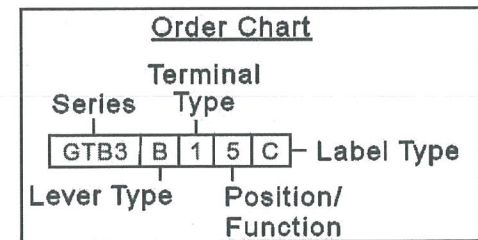
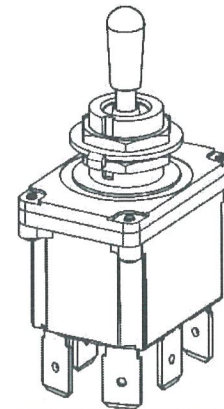
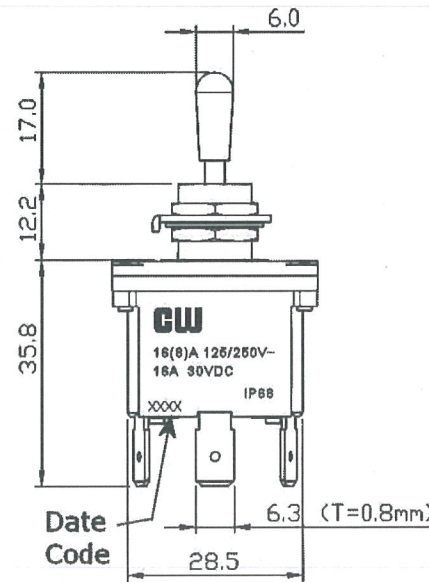
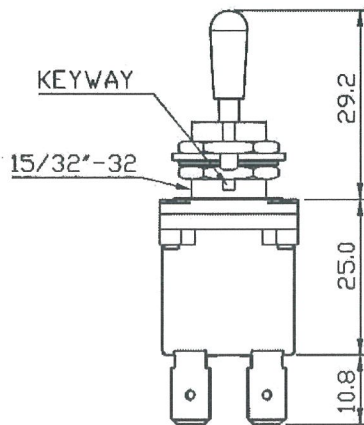
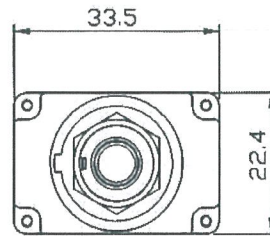
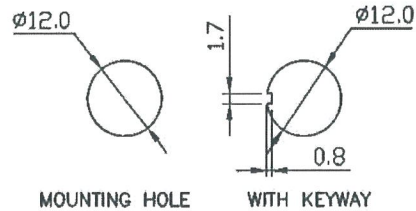
Rating: 16(8)A 125/250V ~ T55

Function: (ON) - OFF - ON DPDT

Actuator: Brass

Waterproof rating: IP 68


() = Momentary Function



NOTE: TOLERANCES UNLESS OTHERWISE SPECIFIED : ± $\frac{.02}{0.5}$ (mm).

TB3-AB15-1C

MASTER

| | | | | | |
|---|-----------------------------|--------|-------------------------|----------------------------|---|
|  CW INDUSTRIES Southampton, Pa. 18966 Tel 215.355.7080/www.cwind.com | Date Drawn: 4/02/19 | Rev. 2 | Unit: mm | Checked By: <i>G. GOLD</i> | 2 Redrawn. Service life 50,000 & 10,000 was 100,000 & 30,000. DW 12/5/22. |
| | Title: TOGGLE SWITCH | | CW P/N: GTB3B15C | | 1 P/N GTB3B15C was GTB3B15 & 16(8)A 125/250V was 12A 125/250V. Updated & Redrawn. DWG 5/10/22 |