

THIS INFORMATION IS CONFIDENTIAL AND PROPRIETARY TO CW INDUSTRIES INCORPORATED AND ITS AFFILIATES. IT MAY NOT BE DISCLOSED TO ANYONE, OTHER THAN CW INDUSTRIES PERSONNEL, WITHOUT WRITTEN AUTHORIZATION FROM CW INDUSTRIES INCORPORATED, SOUTHAMPTON, PENNSYLVANIA USA.

SPECIFICATION:

Contact resistance: 20m ohm max. (initial)
 Insulation resistance: 100M ohm min. (at 500V DC)
 Dielectric strength: 1,500V AC 50/60 Hz for 1 minute
 Service life: Mechanically: 50,000 operations min.
 Electrically: 10,000 operations min.

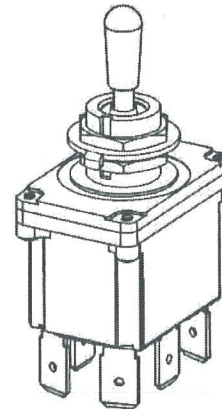
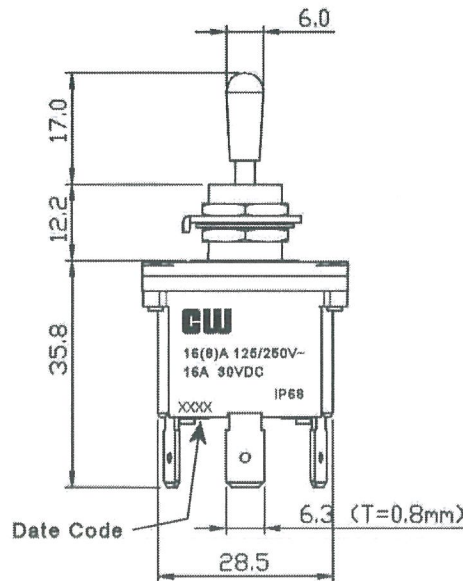
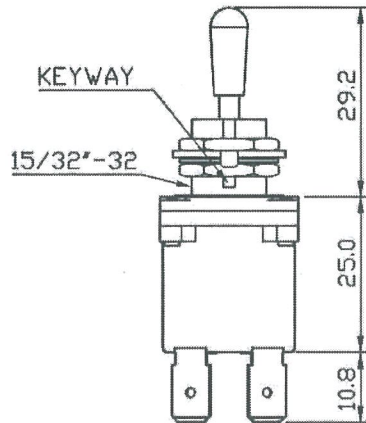
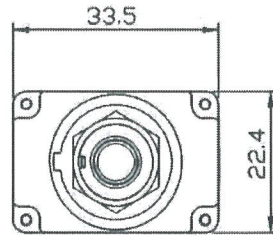
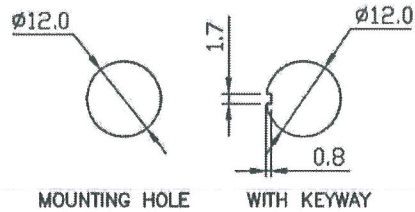
Rating: 16(8)A 125/250V~ T55

Function: ON - OFF - ON DPDT

KEYWAY
POSITION

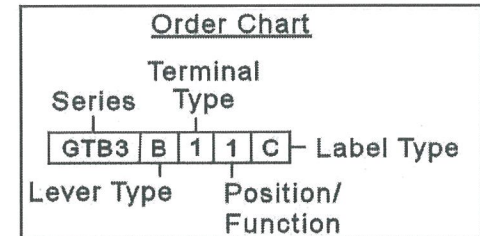
Waterproof rating: IP68

Actuator: Brass / Dull Nickel Plated



NOTE: TOLERANCES UNLESS OTHERWISE SPECIFIED : $\pm \begin{matrix} .02 \\ 0.5 \end{matrix}$ (mm).

MASTER



RoHS Compliant TB3-AB11-1C

CW INDUSTRIES
 Southampton, Pa. 18966
 Tel 215.355.7080/www.cwind.com

Date Drawn: 3-26-12

Rev. 2

Unit: mm

Checked By: *G. GOLD*

Title:
TOGGLE SWITCH

CW P/N:
GTB3B11C

2 Redrawn. Service life 50,000 & 10,000 was 100,000 & 30,000. DW 12/5/22.

1 P/N GTB3B11C was GTB3B11 & 16(8)A 125/250V was 12A 125/250V. Updated & Redrawn. DW 4/27/22