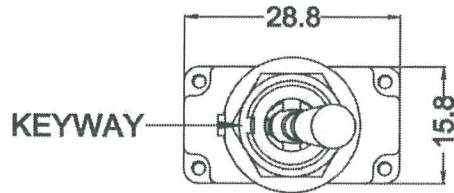
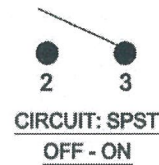
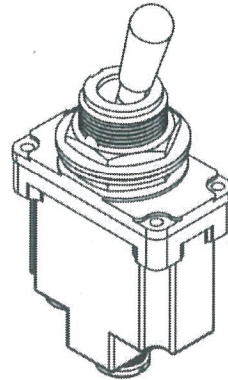
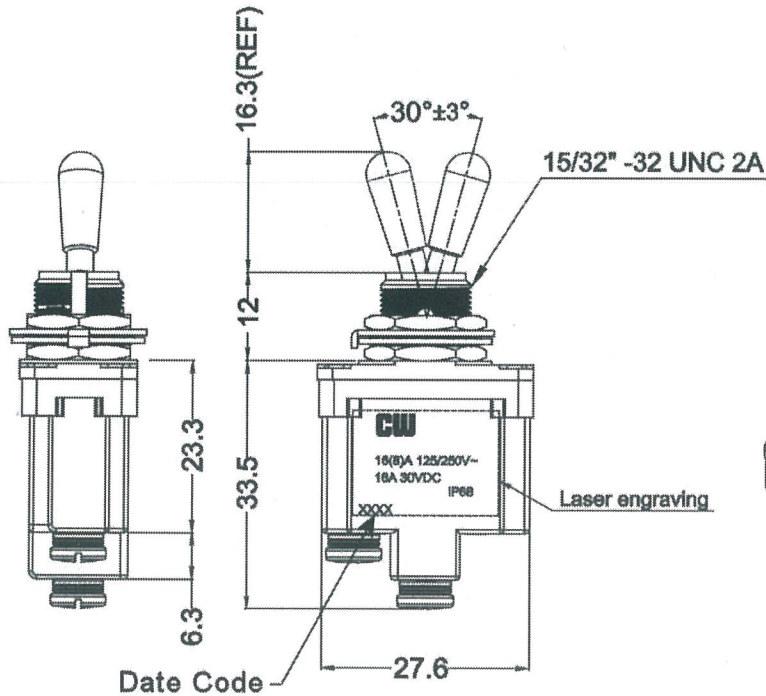


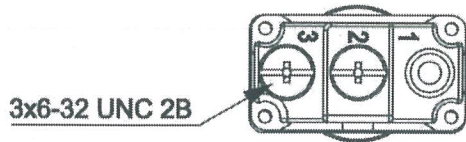
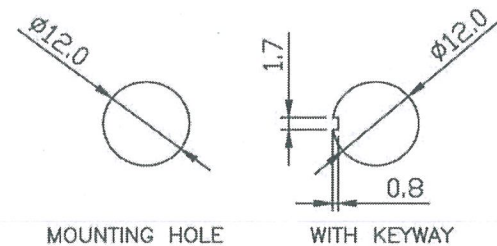
THIS INFORMATION IS CONFIDENTIAL AND PROPRIETARY TO CW INDUSTRIES INCORPORATED AND ITS AFFILIATES. IT MAY NOT BE DISCLOSED TO ANYONE, OTHER THAN CW INDUSTRIES PERSONNEL, WITHOUT WRITTEN AUTHORIZATION FROM CW INDUSTRIES INCORPORATED, SOUTHAMPTON, PENNSYLVANIA USA.



Rating: 16(8)A 125/250V~ T55
 Electrical Life: 10,000 cycles
 Mechanical Life: 50,000 cycles
 Contact resistance: 20mΩ Initial (MAX),
 Insulation resistance: 500VDC - 100MΩ (MIN).
 Dielectric Strength:
 (1) 1500VAC For 1 minute (Terminal to Enclosure)
 (2) 500VAC For 1 minute (Terminal to Terminal)
 IP68 Rated (Above the panel)
 Actuator: Brass/Dull Nickel Plated



SWITCH FUNCTION	
OFF	ON
OFF	2-3



Order Chart

Series	Terminal Type	Label Type
GTB2	B	5 2 C
	Lever Type	Position/Function

MASTER

NOTE: TOLERANCES UNLESS OTHERWISE SPECIFIED : ± .02 / 0.5 (mm).

RoHS Compliant

TB2-AB52-1C

4	Added Date Code. DW 7/20/23
3	Redrawn. Updated drawing per new layout. DW 4/4/23
2	Redrawn. Service life 50,000 & 10,000 was 100,000 & 30,000. DW 12/5/22.
1	Redrawn & updated views & spec's. Rating 16(8)A 125/250V~T55 was 12A 125/250VAC. CW p/n was changed from GTB2B52 to GTB2B52C. DGW 5/09/22

CW INDUSTRIES
 Southampton, Pa. 18966
 Tel 215.355.7080/www.cwind.com

Date Drawn: 12/23/14 Rev. 4
 Title: **TOGGLE SWITCH**

Unit: mm Checked By: *G. GOLD*
 CW P/N: **GTB2B52C**