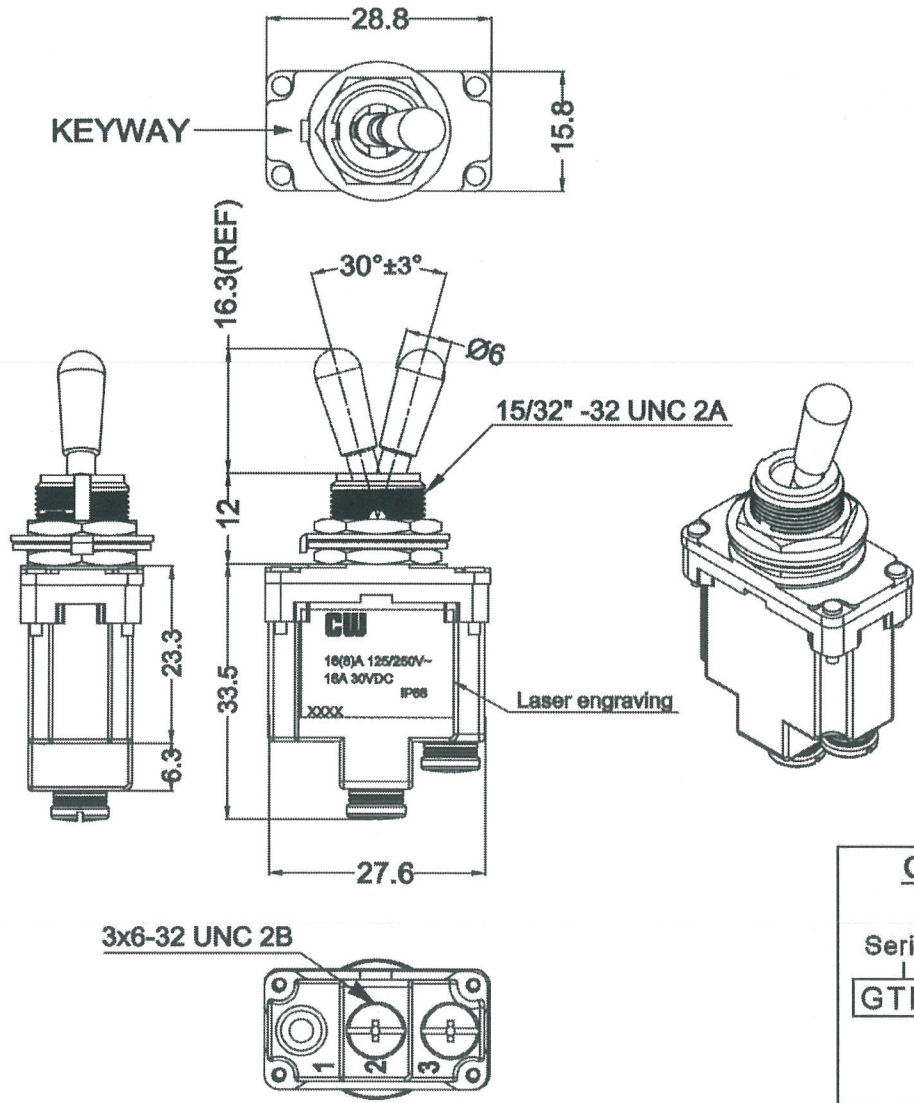


THIS INFORMATION IS CONFIDENTIAL AND PROPRIETARY TO CW INDUSTRIES INCORPORATED AND ITS AFFILIATES. IT MAY NOT BE DISCLOSED TO ANYONE, OTHER THAN CW INDUSTRIES PERSONNEL, WITHOUT WRITTEN AUTHORIZATION FROM CW INDUSTRIES INCORPORATED, SOUTHAMPTON, PENNSYLVANIA USA.



Rating: 16(8)A 125/250V~ T55
Electrical Life: 10,000 cycles
Mechanical Life: 50,000 cycles
Contact resistance: 20mΩ Initial (MAX),
Insulation resistance: 500VDC - 100MΩ (MIN).
Dielectric Strength:
 (1) 1500VAC For 1 minute (Terminal to Enclosure)
 (2) 500VAC For 1 minute (Terminal to Terminal)
IP68 Rated (Above the panel)
Actuator: Brass/Dull Nickel Plated

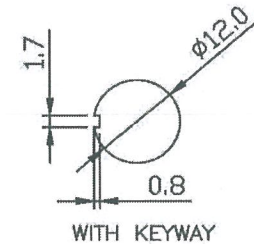
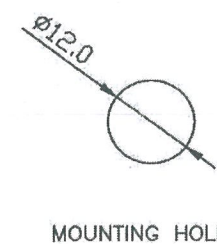


CIRCUIT: SPDT
(ON) - OFF

() = Momentary function

SWITCH FUNCTION	
(ON)	OFF
2 - 3	OFF

Order Chart				
Series	Terminal Label	Type	Position/Function	Type
GTB2	B	5	16	C
	Lever Type			



NOTE: TOLERANCES UNLESS OTHERWISE SPECIFIED : ± .02 (mm).
0.5 (mm).

RoHS Compliant

TB2-AB516-1CD

MASTER

CW INDUSTRIES
Southampton, Pa. 18966
Tel 215.355.7080/www.cwind.com

Date Drawn: DW 5/01/23

Rev. 0

Unit: mm

Checked By: *G. GOLD*

Title:

TOGGLE SWITCH

CW P/N:

GTB2B516C