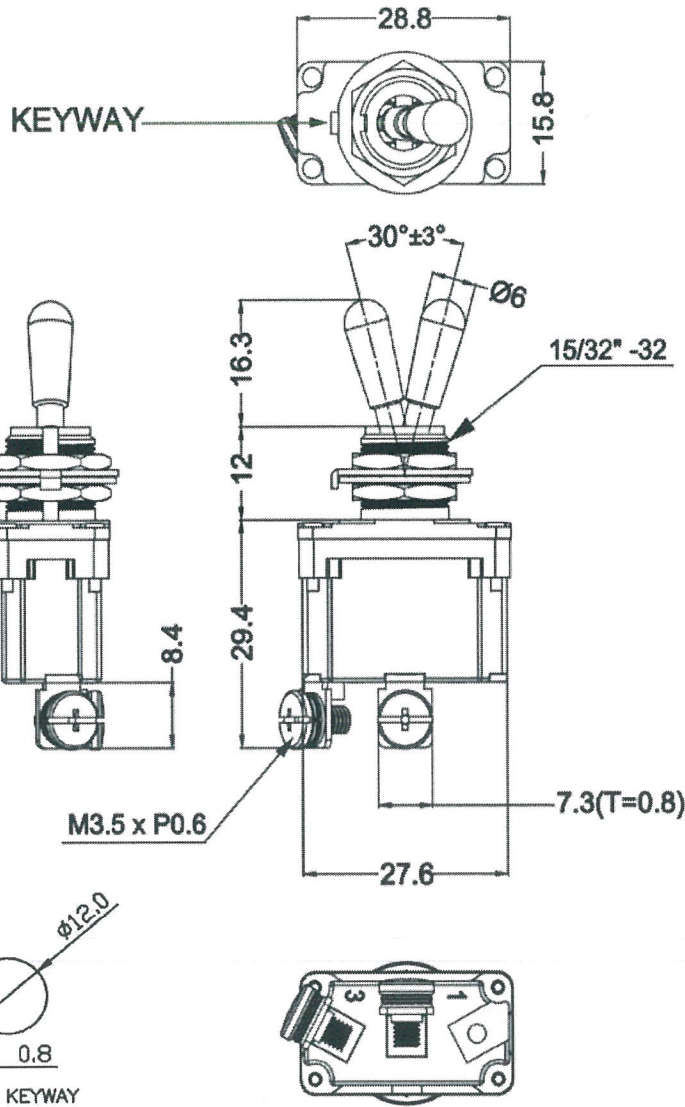
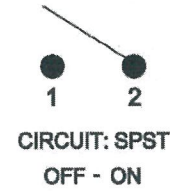


THIS INFORMATION IS CONFIDENTIAL AND PROPRIETARY TO CW INDUSTRIES INCORPORATED AND ITS AFFILIATES. IT MAY NOT BE DISCLOSED TO ANYONE, OTHER THAN CW INDUSTRIES PERSONNEL, WITHOUT WRITTEN AUTHORIZATION FROM CW INDUSTRIES INCORPORATED, SOUTHAMPTON, PENNSYLVANIA USA.



Rating: 16(8)A 125/250V~μT55
Electrical Life: 10,000 cycles
Mechanical Life: 50,000 cycles
Contact resistance: 20mΩ Initial (Max).
Insulation resistance: 500VDC - 100MΩ (Min).
Dielectric Strength:
 (1) 1500VAC for 1 minute
 (2) 500VAC for 1 minute (Terminal to Terminal)
Degree of protection: IP68 (Above the panel)
Lever type: Brass
Terminal type: Screw terminal



SWITCH FUNCTION	
OFF	ON
OFF	2-3

Order Chart				
Terminal Label				
Series	Type	Type		
GTB2	B	4	2	C
Lever Type		Position/Function		

TB2-AB42-1C

Note: Tolerance unless otherwise specified: ± 0.02/0.5 (mm).

<p>Southampton, Pa. 18966 Tel 215.355.7080/www.cwind.com</p>	Date Drawn: DW 11/22/21	Rev. 0	Unit: mm	Checked By: <i>G. GULD</i>
	Title: TOGGLE SWITCH		CW P/N: GTB2B42C	

MASTER