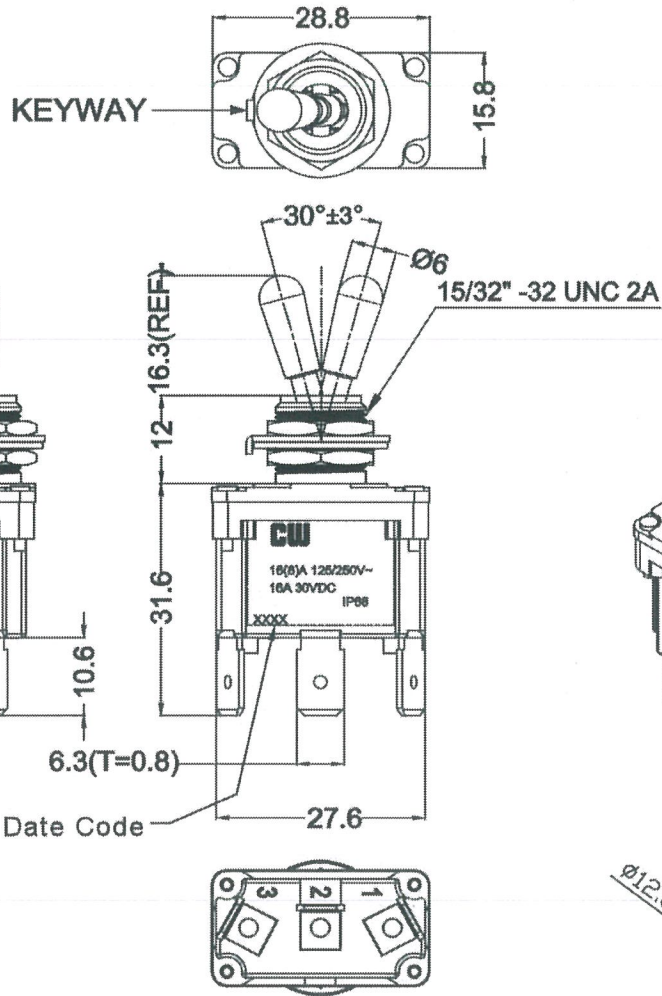
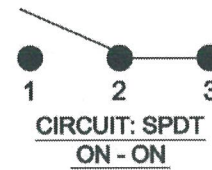


THIS INFORMATION IS CONFIDENTIAL AND PROPRIETARY TO CW INDUSTRIES INCORPORATED AND ITS AFFILIATES. IT MAY NOT BE DISCLOSED TO ANYONE, OTHER THAN CW INDUSTRIES PERSONNEL, WITHOUT WRITTEN AUTHORIZATION FROM CW INDUSTRIES INCORPORATED, SOUTHAMPTON, PENNSYLVANIA USA.



**SPECIFICATION:**

Contact resistance: 20mΩ max. (initial)  
 Insulation resistance: 100MΩ min. (at 500V DC)  
 Dielectric strength: 1,500V AC 50/60 Hz for 1 minute  
 Service life: Mechanically: 50,000 cycles  
 Electrically: 10,000 cycles  
 Rating: 16(8)A 125/250V~ T55  
 Actuator: Brass / Dull Nickel Plated  
 Waterproof rating: IP68



SWITCH FUNCTION	
ON	ON
1-2	2-3

Order Chart			
Terminal		Label Type	
Series	Type		
GTB2	B	1	3
Lever Type		Position/Function	

NOTE: TOLERANCES UNLESS OTHERWISE SPECIFIED : ± .02 / 0.5 (mm).

RoHS Compliant

TB2-AB13-1C

**MASTER**

**CW INDUSTRIES**  
 Southampton, Pa. 18966  
 Tel 215.355.7080/www.cwind.com

Date Drawn: 3-23-12

Rev. 2

Unit: mm

Checked By: *G. GOLD*

Title:  
**TOGGLE SWITCH**

CW P/N:  
**GTB2B13C**

2 Redrawn. Updated views & notes. Added circuit & switch function. Service life 50,000 & 10,000 was 100,000 & 30,000. DW 12/5/22.

1 P/N GTB2B13C was GTB2B13 & 16(8)A 125/250V was 12A 125/250V. Updated & Redrawn. DW 4/27/22