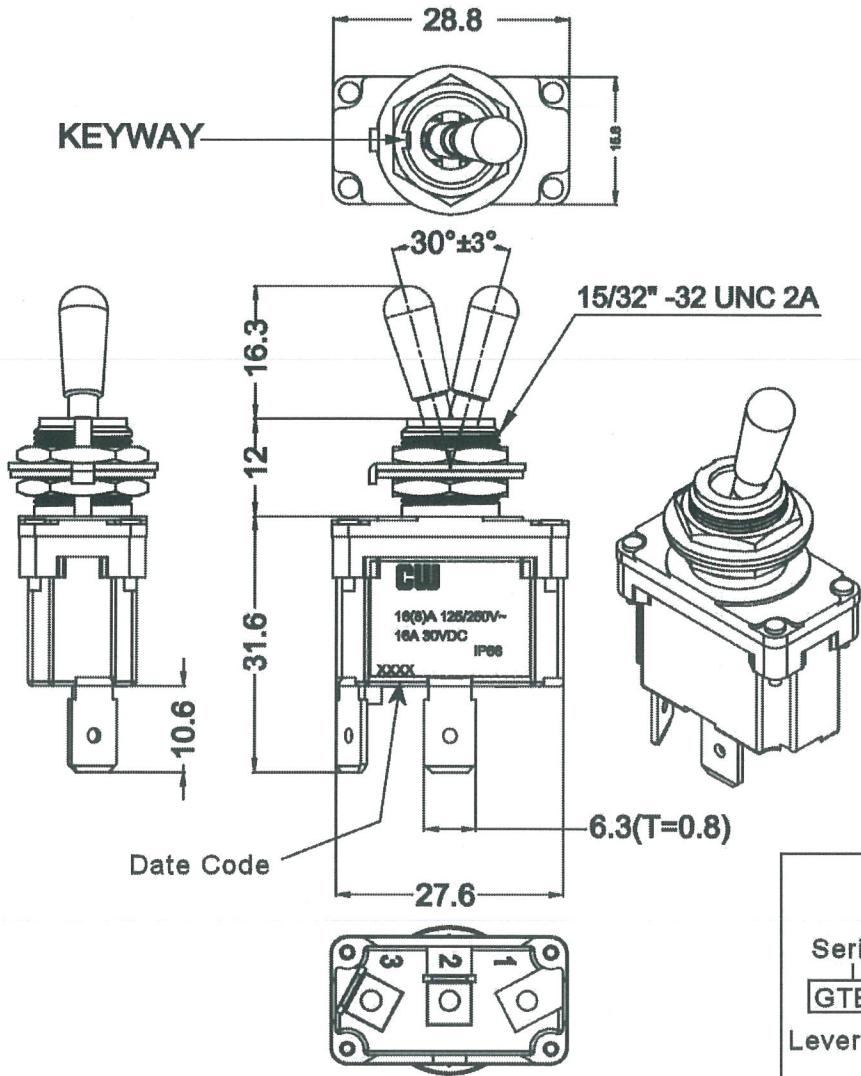


THIS INFORMATION IS CONFIDENTIAL AND PROPRIETARY TO CW INDUSTRIES INCORPORATED AND ITS AFFILIATES. IT MAY NOT BE DISCLOSED TO ANYONE, OTHER THAN CW INDUSTRIES PERSONNEL, WITHOUT WRITTEN AUTHORIZATION FROM CW INDUSTRIES INCORPORATED, SOUTHAMPTON, PENNSYLVANIA USA.



SPECIFICATION:

Contact resistance: 20m ohm max. (initial)
 Insulation resistance: 100M ohm min. (at 500V DC)
 Dielectric strength: 1,500V AC 50/60 Hz for 1 minute
 Service life: Mechanically: 50,000 operations min.
 Electrically: 10,000 operations min.

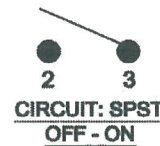
Rating: 16(8)A 125/250V~T55

Function: OFF - ON SPST

KEYWAY
POSITION

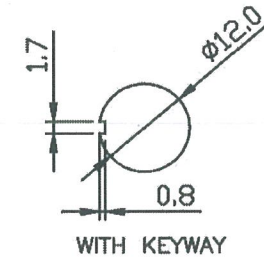
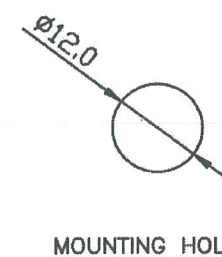
Actuator: Brass / Dull Nickel Plated

Waterproof rating: IP68



SWITCH FUNCTION	
OFF	ON
OFF	2-3

Order Chart				
Series	Terminal Type	Label Type		
GTB2	B	1	2	C
Lever Type		Position/Function		



NOTE: TOLERANCES UNLESS OTHERWISE SPECIFIED : ± .02 / 0.5 (mm).

RoHS Compliant

TB2-AB12-1C

MASTER

CW INDUSTRIES
 Southampton, Pa. 18966
 Tel 215.355.7080/www.cwind.com

Date Drawn: 3-23-12

Rev. 2

Unit: mm

Checked By: *G. GOLD*

Title:

TOGGLE SWITCH

CW P/N:

GTB2B12C

2 Redrawn. Service life 50,000 & 10,000 was 100,000 & 30,000. DW 12/5/22.

1 P/N GTB2B12C was GTB2B12 & 16(8)A 125/250V was 12A 125/250V. Updated & Redrawn. DGW 4/27/22.