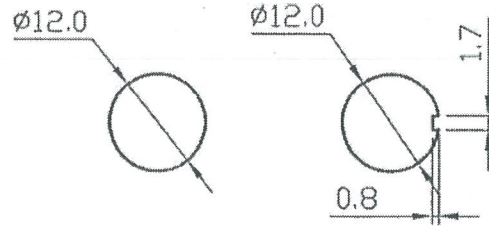
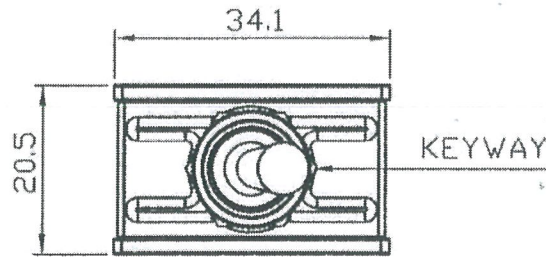


THIS INFORMATION IS CONFIDENTIAL AND PROPRIETARY TO CW INDUSTRIES INCORPORATED AND ITS AFFILIATES. IT MAY NOT BE DISCLOSED TO ANYONE, OTHER THAN CW INDUSTRIES PERSONNEL, WITHOUT WRITTEN AUTHORIZATION FROM CW INDUSTRIES INCORPORATED, SOUTHAMPTON, PENNSYLVANIA USA.



MOUNTING HOLE WITH KEYWAY

Specification :

Contact resistance: 20m Ω max. (initial)
 Insulation resistance: 100M Ω min. (at 500V DC)
 Dielectric strength: 1,500V AC 50/60 Hz for 1 minute
 Service life: Mechanically: 50,000 operations min.
 Electrically: 10,000 operations min.

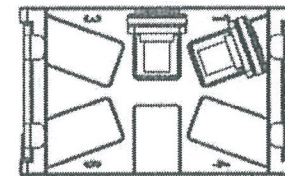
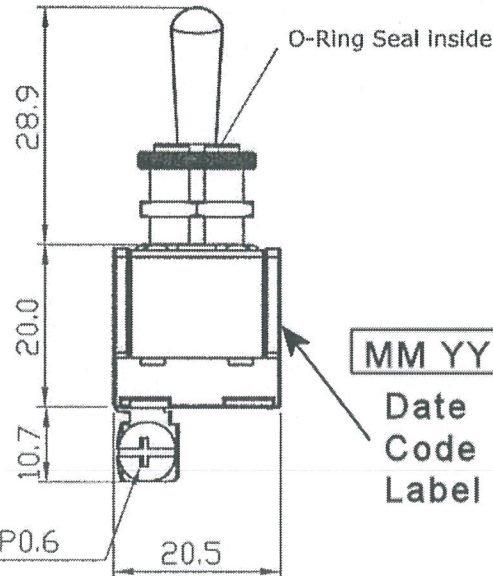
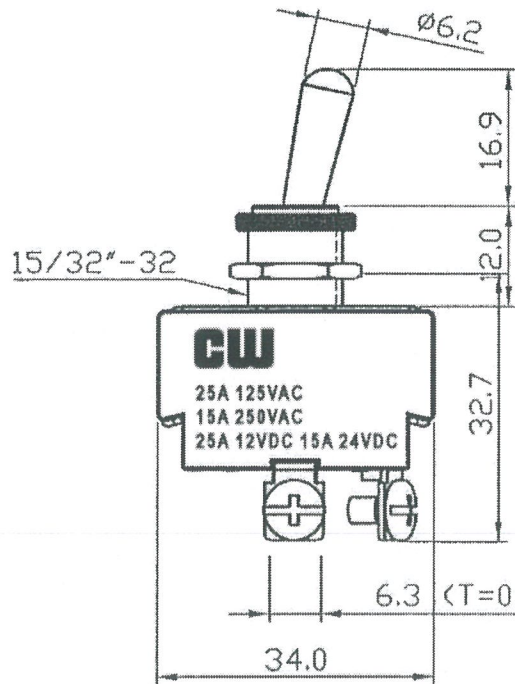
Rating: 25A 125V AC ; 15A 250V AC
 25A 12V DC ; 15A 24V DC

Function: ON - OFF

Keyway
Position

Operating Temperature:

150 $^{\circ}$ C



MM YY
Date
Code
Label

RoHS Compliant

SW-2722-CB2-M-4

TOLERANCES		UNLESS NOTED	
X.	± 0.3	MIN WALL THICKNESS	
X.X	± 0.2	MAX. DRAFT 2 / SIDE	
X.XX	± 0.1	ALL RADII	

MASTER

CW INDUSTRIES
 Southampton, Pa. 18966
 Tel 215.355.7080/www.cwind.com

Date Drawn: 5/28/13

Rev. 1

Unit: mm

Checked By: *G. GOLD*

Title:

TOGGLE SWITCH

CW P/N:

GTB2A42HT

1 Redrawn. Service life 50,000 & 10,000 was 100,000 & 30,000. DW 12/5/22.