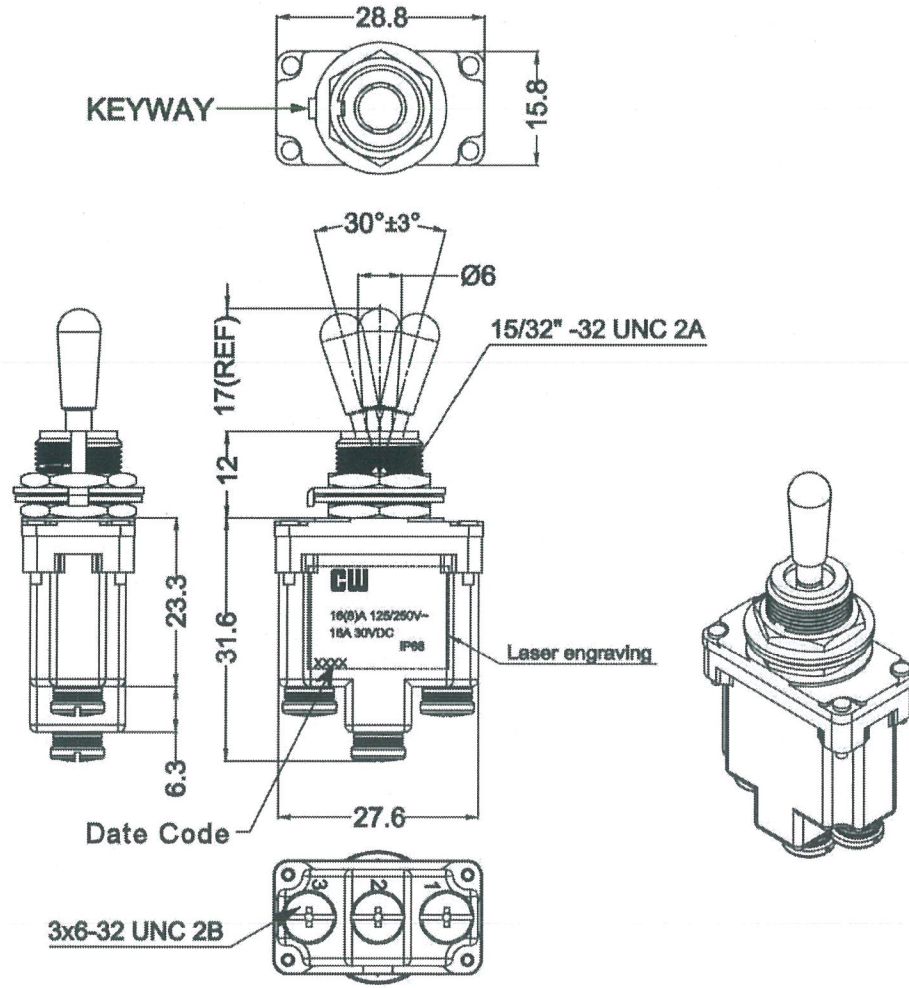
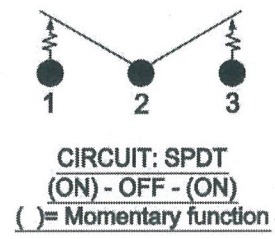


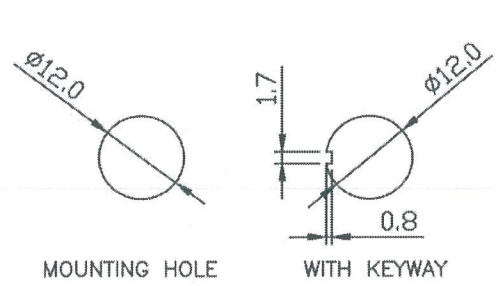
THIS INFORMATION IS CONFIDENTIAL AND PROPRIETARY TO CW INDUSTRIES INCORPORATED AND ITS AFFILIATES. IT MAY NOT BE DISCLOSED TO ANYONE, OTHER THAN CW INDUSTRIES PERSONNEL, WITHOUT WRITTEN AUTHORIZATION FROM CW INDUSTRIES INCORPORATED, SOUTHAMPTON, PENNSYLVANIA USA.



Rating: 16(8)A 125/250V~ T55
Electrical Life: 10,000 cycles
Mechanical Life: 50,000 cycles
Contact resistance: 20mΩ Initial (MAX),
Insulation resistance: 500VDC - 100MΩ (MIN).
Dielectric Strength:
 (1) 1500VAC For 1 minute (Terminal to Enclosure)
 (2) 500VAC For 1 minute (Terminal to Terminal)
IP68 Rated (Above the panel)
Actuator: Brass/Dull Nickel Plated



SWITCH FUNCTION		
(ON)	OFF	(ON)
(1-2)	OFF	(2-3)



Order Chart			
Series	Terminal Type	Label Type	
GTB1	B	5	7 C
	Lever Type	Position/Type	Function

NOTE: TOLERANCES UNLESS OTHERWISE SPECIFIED : ± .02 / 0.5 (mm).
 RoHS Compliant
 TB1-AB57-1C

MASTER

CW INDUSTRIES
 Southampton, Pa. 18966
 Tel 215.355.7080/www.cwind.com

Date Drawn: 12/23/14 Rev. 4 Unit: mm Checked By: *G. GOLD*

Title: **TOGGLE SWITCH** CW P/N: **GTB1B57C**

4	Added Date Code. DW 7/20/23
3	Redrawn. Updated drawing per new layout. DW 4/4/23
2	Redrawn. Service life 50,000 & 10,000 was 100,000 & 30,000. DW 12/5/22.
1	Redrawn & updated views & spec's. Rating 16(8)A 125/250V~T55 was 12A 125/250VAC. CW p/n was changed from GTB1B57 to GTB1B57C. DGW 5/09/22