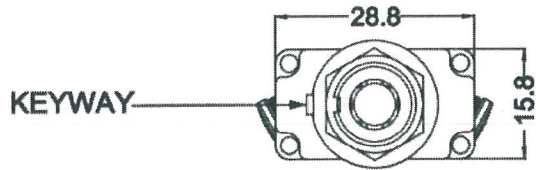
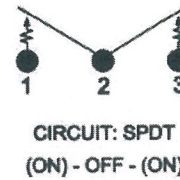
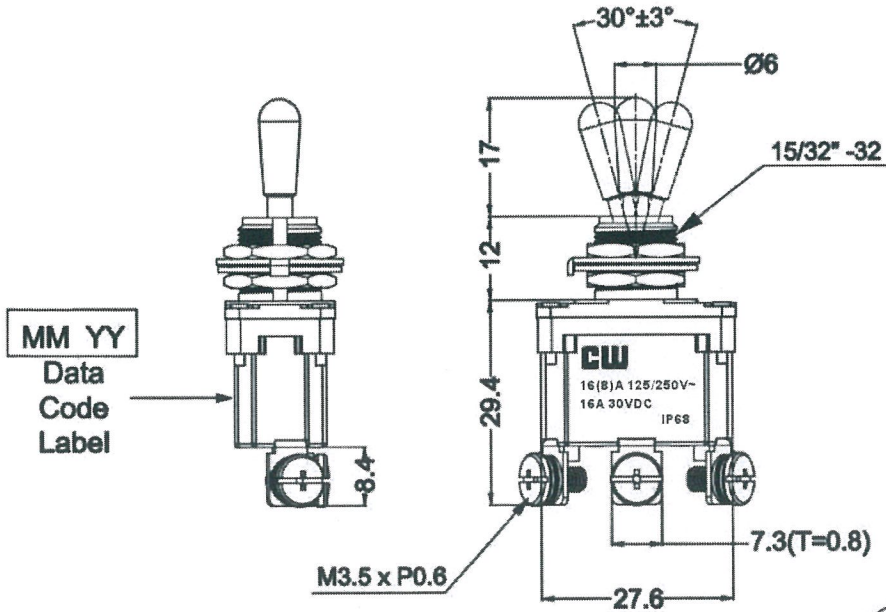


THIS INFORMATION IS CONFIDENTIAL AND PROPRIETARY TO CW INDUSTRIES INCORPORATED AND ITS AFFILIATES. IT MAY NOT BE DISCLOSED TO ANYONE, OTHER THAN CW INDUSTRIES PERSONNEL, WITHOUT WRITTEN AUTHORIZATION FROM CW INDUSTRIES INCORPORATED, SOUTHAMPTON, PENNSYLVANIA USA.

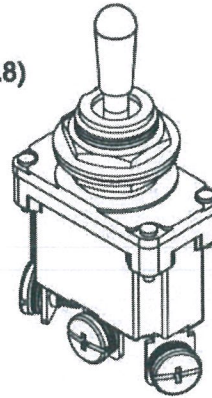
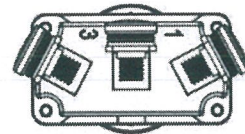
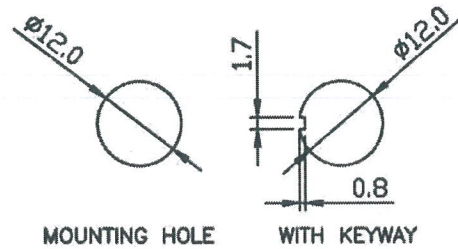


Rating: 16(8)A 125/250V~ μ T55
Electrical Life: 10,000 cycles
Mechanical Life: 50,000 cycles
Contact resistance: 20m Ω Initial (Max).
Insulation resistance: 500VDC - 100M Ω (Min).
Dielectric Strength:
 (1) 1500VAC for 1 minute
 (2) 500VAC for 1 minute (Terminal to Terminal)
Degree of protection: IP68 (Above the panel)
Lever type: Brass
Terminal type: Screw terminal



| SWITCH FUNCTION | | |
|-----------------|-----|-------|
| | | |
| (ON) | OFF | (ON) |
| (1-2) | OFF | (2-3) |

() = Momentary



| Order Chart | | | | |
|-------------|------|-------|---------------|----------------|
| Series | Type | Lever | Position/Type | Terminal Label |
| GTB1 | B | 4 | 7 | C |

Note: Tolerance unless otherwise specified: $\pm \begin{matrix} .02 \\ 0.5 \end{matrix}$ (mm).

TB1-AB47-1C

CW INDUSTRIES
 Southampton, Pa. 18966
 Tel 215.355.7080/www.cwind.com

Date Drawn: 8/11/17
 Rev. 1
 Title: **TOGGLE SWITCH**

Unit: mm
 Checked By: *G. GULD*
 CW P/N: **GTB1B47C**

MASTER

1 Updated & redrawn. Rating 12A 125vac/10A 250vac is now 16(8)A 125/250V~ μ T55