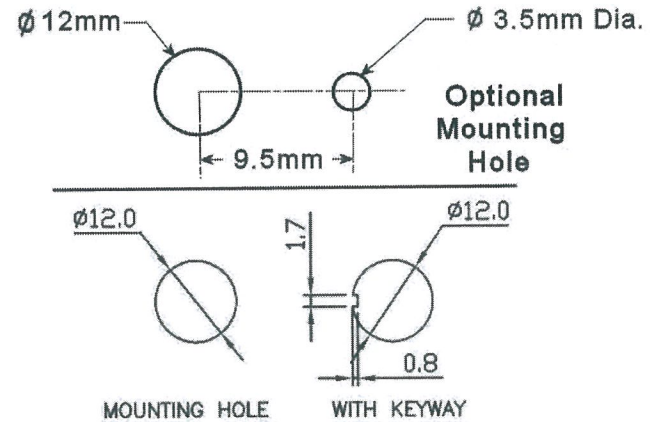
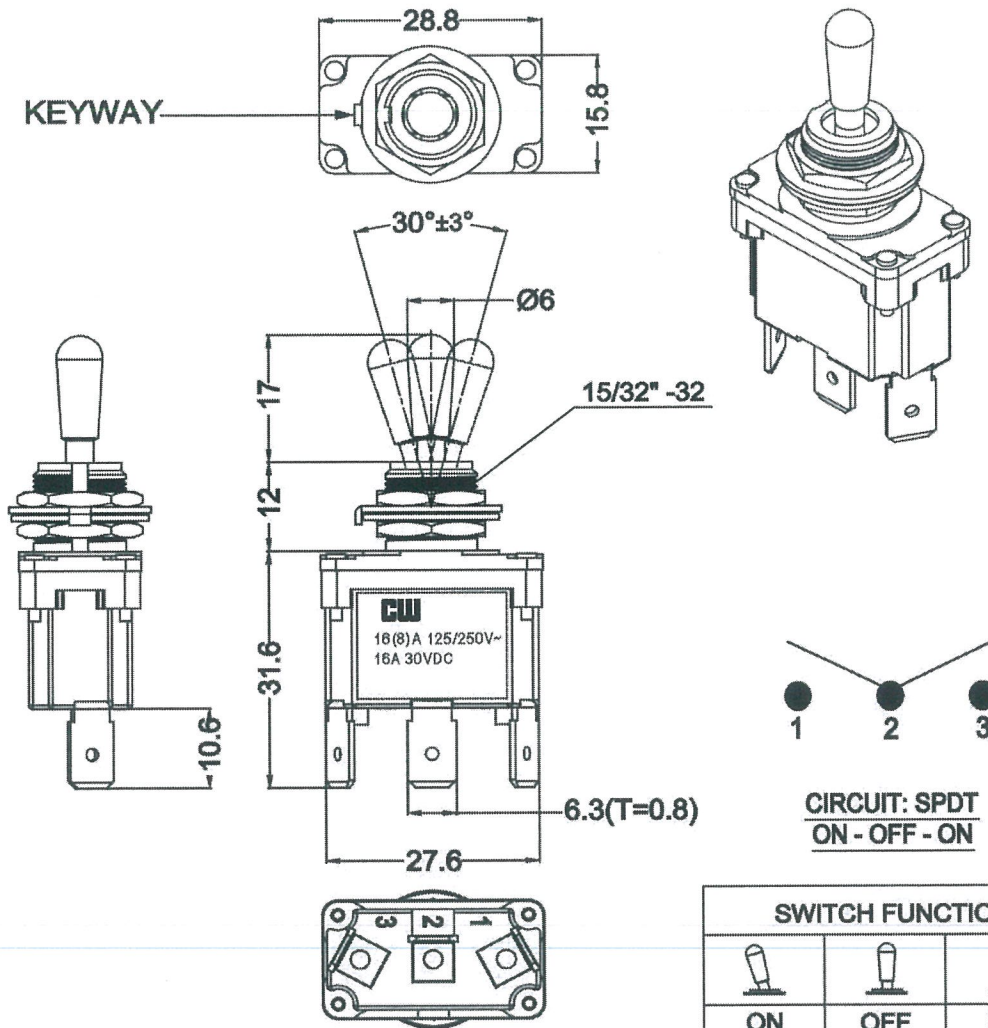


THIS INFORMATION IS CONFIDENTIAL AND PROPRIETARY TO CW INDUSTRIES INCORPORATED AND ITS AFFILIATES. IT MAY NOT BE DISCLOSED TO ANYONE, OTHER THAN CW INDUSTRIES PERSONNEL, WITHOUT WRITTEN AUTHORIZATION FROM CW INDUSTRIES INCORPORATED, SOUTHAMPTON, PENNSYLVANIA USA.

SPECIFICATION:

Rating: 16(8)A 125/250V~ μ T55
 Function: ON - OFF - ON SPDT
 Electrical Life: 10,000 cycles
 Mechanical Life: 50,000 cycles
 Contact Resistance: 20m Ω Initial (Max.)
 Insulation Resistance: 500VDC - 100M Ω (Min.)
 Dielectric Strength:
 (1) 1500VAC For 1 minute (Terminal to Enclosure)
 (2) 500VAC For 1 minute (Terminal to Terminal)
 Actuator: Brass, Dull Nickle Plated
 Waterproof Rating: IP68



**CIRCUIT: SPDT
ON - OFF - ON**

SWITCH FUNCTION		
ON	OFF	ON
1-2	OFF	2-3

Order Chart				
Series	Terminal Type	Label Type		
GTB1	B	1	1	C
		Lever Type	Position/Function	

NOTE: TOLERANCES UNLESS OTHERWISE SPECIFIED : \pm .02 / 0.5 (mm).

TB1-AB11-1C

CW INDUSTRIES
 Southampton, Pa. 18966
 Tel 215.355.7080/www.cwind.com

Date Drawn: 3-23-12

Rev. 2

Unit: mm

Checked By: *G. GULD*

Title: **TOGGLE SWITCH**

CW P/N: **GTB1B11C**

2 Redrawn & updated views and spec's. Rating 16(8)A 125/250vac was 12A 125/250vac. CW p/n was changed from GTB1B11 to GTB1B11C.

1 Added optional mounting hole. 7-21-14.

MASTER