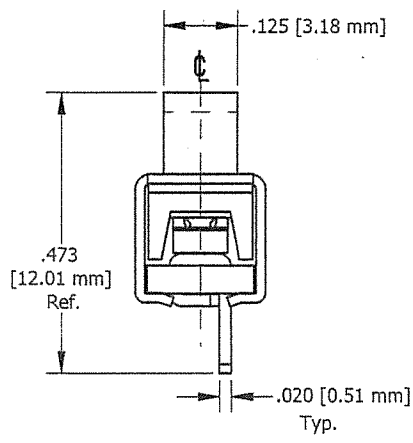
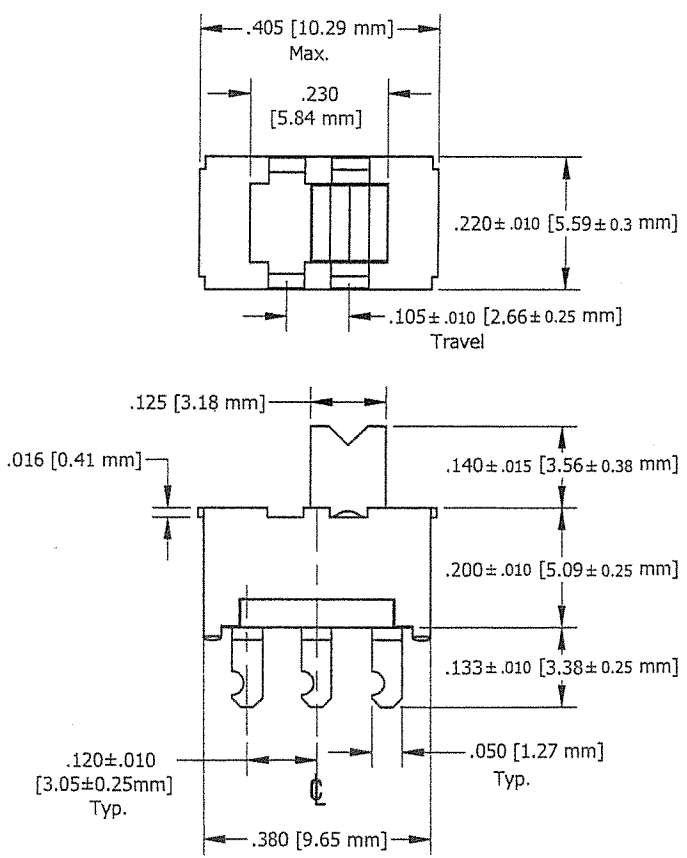


THIS INFORMATION IS CONFIDENTIAL AND PROPRIETARY TO CW INDUSTRIES INCORPORATED AND ITS AFFILIATES. IT MAY NOT BE DISCLOSED TO ANYONE OTHER THAN CW INDUSTRIES PERSONNEL, WITHOUT WRITTEN AUTHORIZATION FROM CW INDUSTRIES INCORPORATED, SOUTHAMPTON, PENNSYLVANIA, U.S.A.

A B C D E F T

DIMENSIONS IN INCHES (MILLIMETERS) DO NOT SCALE DRAWING		Dwg. No. GS-115-0109
REVISIONS	0	NEW <i>CG</i> 8/17/23 DGW 8/10/23



MATERIAL SPECIFICATIONS:

- Button: Nylon 6/6, Color- Black
- Housing: C.R.S./Zinc Plated
- Base: Nema Grade G-10
- Moving Contact: Silver Plated, Copper Alloy
- Terminal: Silver Plated, Copper Alloy

CW INDUSTRIES Southampton, Pa. 18966		Title: SWIDGET JR. ASSEMBLY S.P.-D.T.
TOLERANCES UNLESS OTHERWISE SPECIFIED		
2 Place Decimal ± .010	METRIC	
3 Place Decimal ± .005	1 Place Dec. ± .25mm	
Angles ± 1'	2 Place Dec. ± .13mm	
Made for: CW Ind.	Division: SWITCH	
Drawn by: DGW 8/10/23		
Checked by: <i>G. GULD</i> 8-10-23	Dwg. No.	GS-115-0109
Approval: <i>CG</i> 8/17/23		

1 2 3 4 5 6 7 8 9 10

MASTER