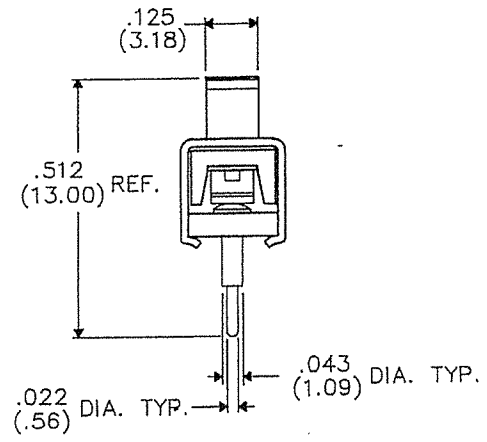
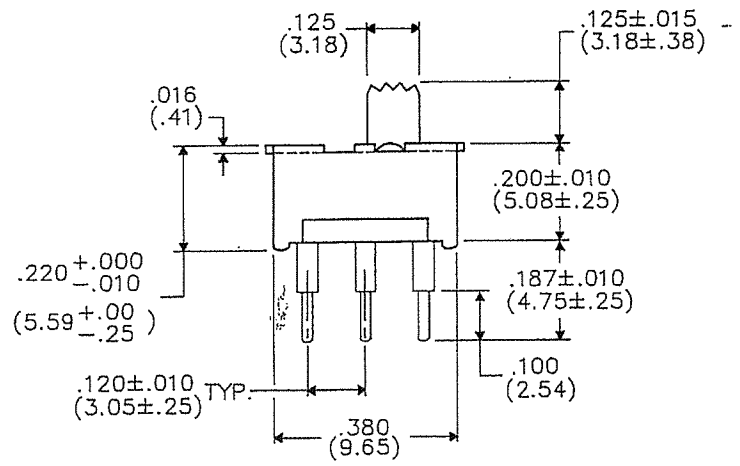
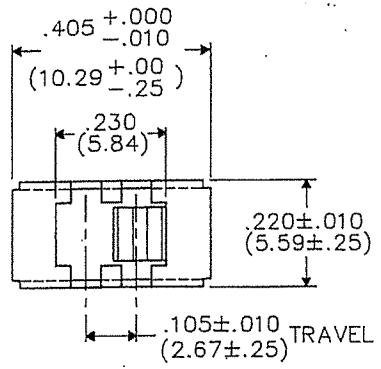


DIMENSIONS IN INCHES (MILLIMETERS)
DO NOT SCALE DRAWING. . . .

Drawing No.
GS-115-0054



B - FORM 9
REVISIONS
RELEASED
SPR 1-19-93

ATTENTION
THIS DRAWING AND ITS ATTACHMENTS, IF ANY, ARE PROPRIETARY TO CW INDUSTRIES AND DESCRIBE DESIGNS THAT ARE CONFIDENTIAL AND MUST NOT BE DISCLOSED UNLESS AUTHORIZED, IN WRITING, BY AN OFFICER OF CW INDUSTRIES.....

CW INDUSTRIES
Southampton, Pa. 18966
TOLERANCES UNLESS OTHERWISE SPECIFIED
2 Place decimal F.O.I.C. METRIC
3 Place decimal F.O.O.S. 1 Place dec. 1/25 MM
Angles .1° 2 Place dec 1/15 MM
Made for CW IND.
Drawn by SPR 1-19-93
Checked by G. GULIA 1-22-93
Approval 573 BK 1-22-93

Title
**SWIDGET JR.
ASSEMBLY
S.P.-D.T.
RAD. KNURL**
Division
SWITCH
Drawing No.
GS-115-0054