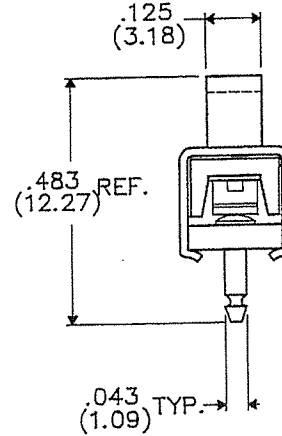
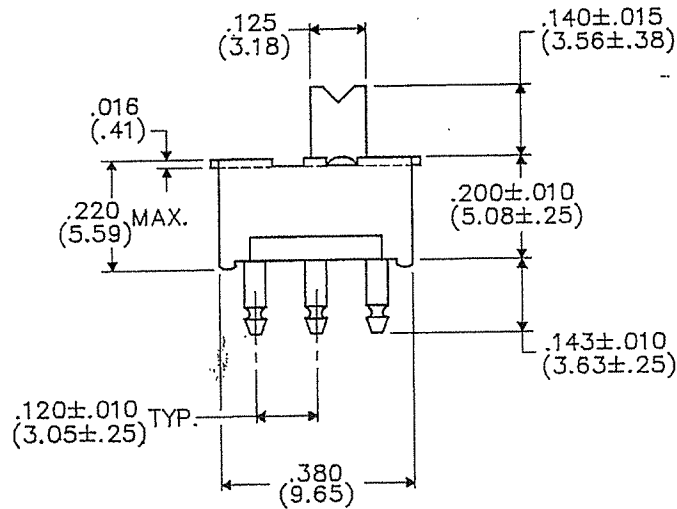
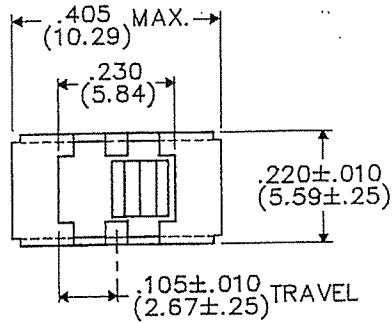


DIMENSIONS IN INCHES (MILLIMETERS)  
DO NOT SCALE DRAWING....

Drawing No. **GS-115-0033**



B-FORM 10  
REVISIONS  
RELEASED MAM 7-12-90  
7/13/90

**ATTENTION**  
THIS DRAWING AND ITS ATTACHMENTS, IF ANY, ARE PROPRIETARY TO CW INDUSTRIES AND DESCRIBE DESIGNS THAT ARE CONFIDENTIAL AND MUST NOT BE DISCLOSED UNLESS AUTHORIZED, IN WRITING, BY AN OFFICER OF CW INDUSTRIES.....

<b>CW INDUSTRIES</b> Southampton, Pa. 18966	Title <b>ASSEMBLY DRAWING</b>	
	<b>SWIDGET JR.</b> S.P. D.T.	
TOLERANCES UNLESS OTHERWISE SPECIFIED		
2 Place decimal ±.010	METRIC	
3 Place decimal ±.005	1 Place dec. ±.25 MM	
Angles . . . . . ± 1°	2 Place dec. ±.13 MM	
Made for: CW Ind.		
Division <b>SWITCH</b>		
Drawn by: MAM 7-12-90		
Checked by: <i>ABK</i> 7-13-90		
Approval: <i>ABK</i> 7-13-90		
Drawing No. <b>GS-115-0033</b>		