

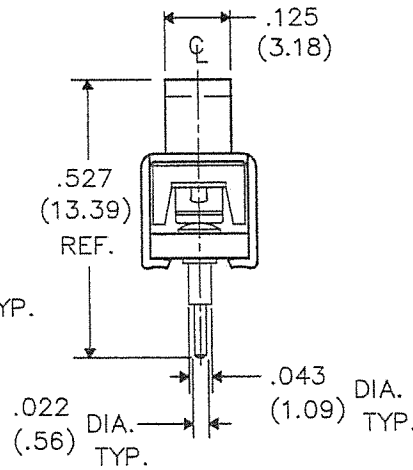
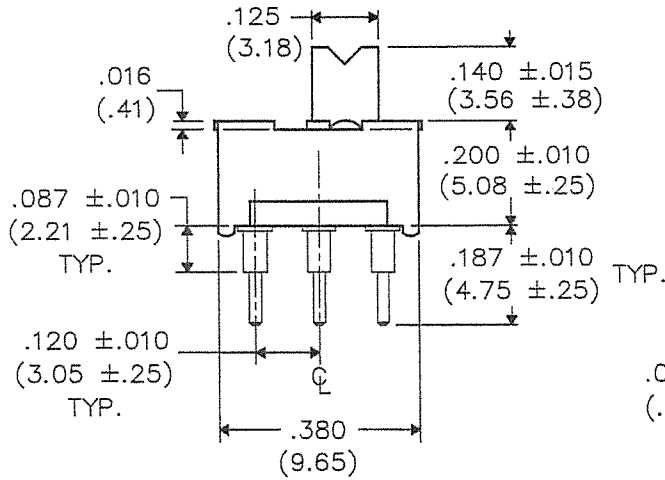
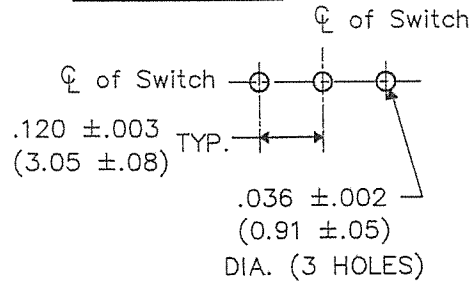
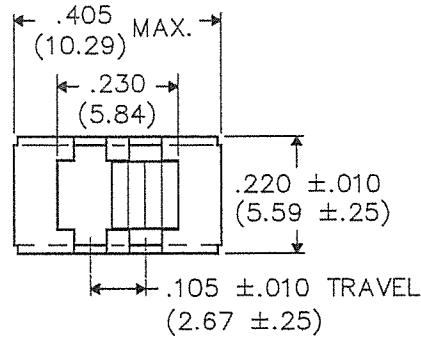
DIMENSIONS IN INCHES (MILLIMETERS)
DO NOT SCALE DRAWING

Dwg. No.

GS-115-0032

P.C. LAYOUT

Button Color: Black



F
 D
 C
 B
 A

THIS INFORMATION IS CONFIDENTIAL AND PROPRIETARY TO CW INDUSTRIES INCORPORATED AND ITS AFFILIATES. IT MAY NOT BE DISCLOSED TO ANYONE OTHER THAN CW INDUSTRIES PERSONNEL, WITHOUT WRITTEN AUTHORIZATION FROM CW INDUSTRIES INCORPORATED, SOUTHAMPTON, PENNSYLVANIA, USA.

1 2 3 4 5 6 7 8 9 10

B-FORMAT 2002

REVISIONS

0

RELEASED: TEST 2 2018
 DGW 10-08-18
 [Signature]

Pdf Made

CW INDUSTRIES
 Southampton, Pa. 18966

TOLERANCES UNLESS OTHERWISE SPECIFIED
 2 Place Deciml ±.010 METRIC
 3 Place Deciml ±.005 1 Place Dec. ±.25mm
 Angles ±1° 2 Place Dec. ±.13mm

Made for: CW IND.

Drawn by: DGW 10-08-18

Checked by: G. GULD 10-8-18

Approval: [Signature] 10/10/18

Title: SWIDGET
 ASSEMBLY
 DRAWING
 S.P. - D.T.

Division: SWITCH/CONNECTOR

Dwg. No. GS-115-0032

MASTER