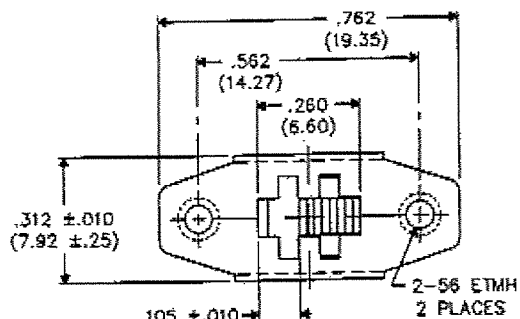
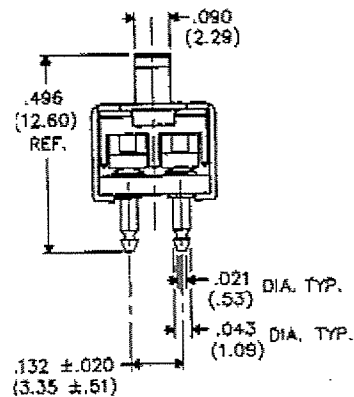
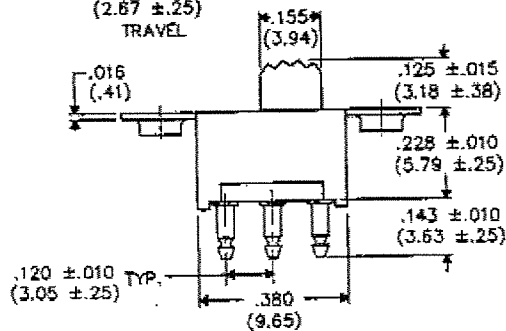
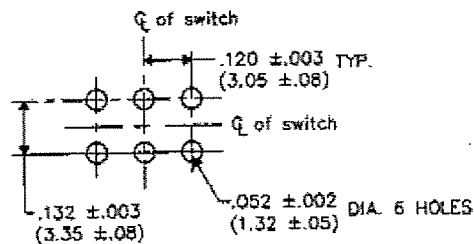


DIMENSIONS IN INCHES (MILLIMETERS)
DO NOT SCALE DRAWING

Dwg. No.
GS-113-0049



P.C. LAYOUT



E
D
C
B
A

1 2 3 4 5 6 7 8 9 10

FORM-B4
REVISIONS
RELEASED
DGW 9-05-2000

ATTENTION
THIS DRAWING AND ITS ATTACHMENTS, IF ANY, ARE PROPRIETARY TO CW INDUSTRIES AND DESCRIBE DESIGNS THAT ARE CONFIDENTIAL AND MUST NOT BE DISCLOSED UNLESS AUTHORIZED, IN WRITING, BY AN OFFICER OF CW INDUSTRIES.....

CW INDUSTRIES
Southampton, Pa. 18988
TOLERANCES UNLESS OTHERWISE SPECIFIED
2 Place Decimal ±.010 METRIC
3 Place Decimal ±.005
Angles ±1°
Made for: CW IND.
Drawn by: DGW 9-05-2000
Checked by: G. Gula 4-7-00
Approval: B. P. [Signature] 7-11-00

Title:
MICRO SWITCH
D.P. - D.T.
Division:
SWITCH
Dwg. No.
GS-113-0049