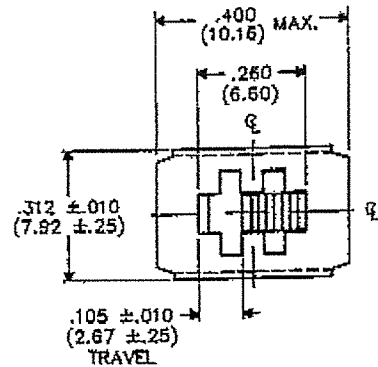
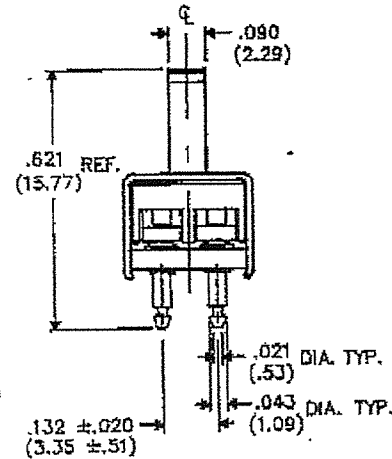
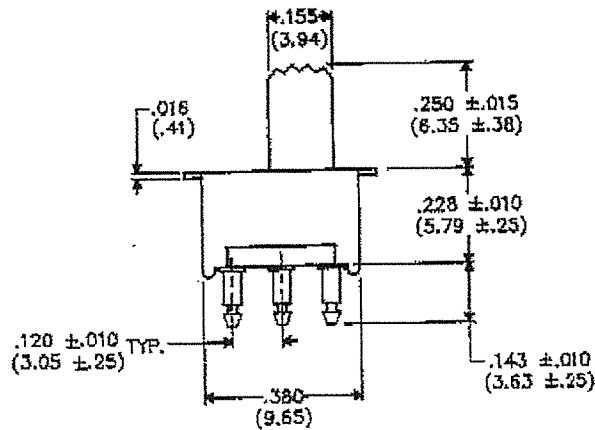
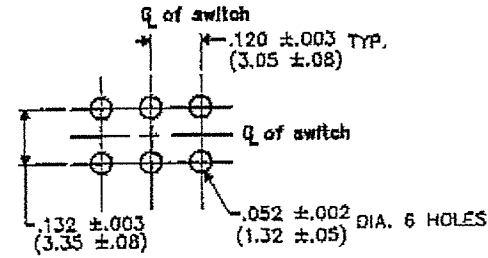


DIMENSIONS IN INCHES (MILLIMETERS)
DO NOT SCALE DRAWING...

Drawing by
GS-113-0048



P.C. LAYOUT



8-1 FORM 3
REVISIONS
RELEASED
DWG 1-12-94
1-15-94

ATTENTION
THIS DRAWING AND ITS ATTACHMENTS, IF ANY, ARE PROPRIETARY TO CW INDUSTRIES AND DESCRIBE DESIGNS THAT ARE CONFIDENTIAL AND MUST NOT BE DISCLOSED UNLESS AUTHORIZED, IN WRITING, BY AN OFFICER OF CW INDUSTRIES.....

CW INDUSTRIES
Southampton, Pa. 18966
TOLERANCES UNLESS OTHERWISE SPECIFIED
2 Place decimal 1000 METRIC
3 Place decimal 10000 Parts dec. 1 25 hole
Angles 1/16 1/8 3/16 1/4 3/8 1/2 5/8 3/4 7/8 1 1 1/4 1 1/2 2 3 4 5 6 8 10 12 15 20 25 30 35 40 45 50 55 60 65 70 75 80 85 90 95 100 110 120 135 150 165 180
Made for CW IND.
Drawn by DGW 1-12-94
Checked by G. Sullivan 1-14-94
Approved J. R. SA 1-14-94

Part
MICRO SWITCH ASSEMBLY
D.P. - D.T.
Description
SWITCH
Drawing No.
GS-113-0048