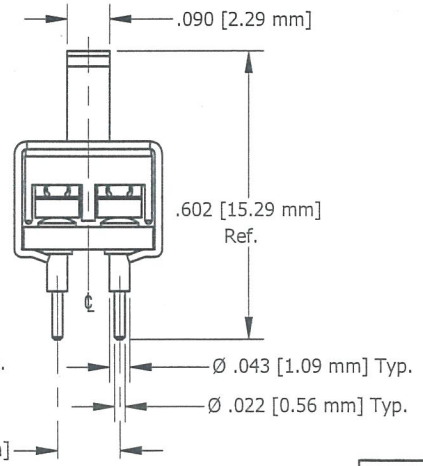
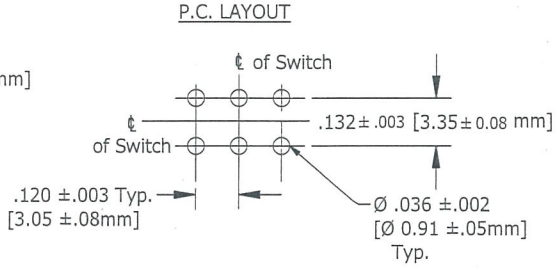
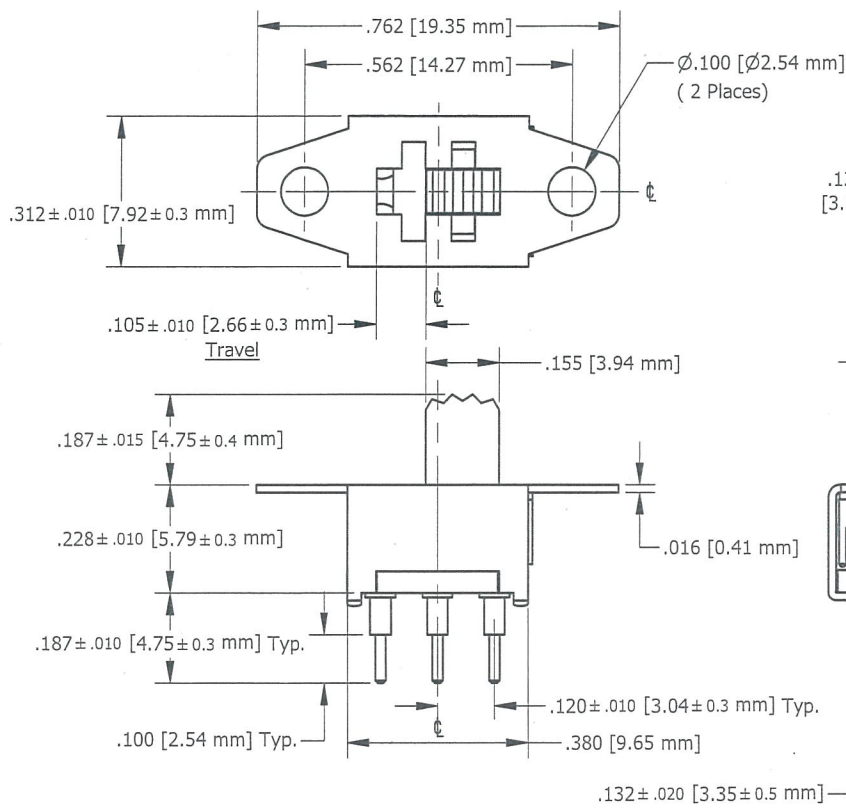


THIS INFORMATION IS CONFIDENTIAL AND PROPRIETARY TO CW INDUSTRIES INCORPORATED AND ITS AFFILIATES. IT MAY NOT BE DISCLOSED TO ANYONE, OTHER THAN CW INDUSTRIES PERSONNEL, WITHOUT WRITTEN AUTHORIZATION FROM CW INDUSTRIES INCORPORATED, SOUTHAMPTON, PENNSYLVANIA USA.

F  
E  
D  
C  
B  
A

DIMENSIONS IN INCHES (MILLIMETERS)  
DO NOT SCALE DRAWING .....

Dwg. No.		GS-113-0014	
REVISIONS	0	NEW.	
		CH 10/12/18	DGW 10/03/18
	1	Redrawn. Corrected PC Layout to show DPDT. DGW 2/08/24	<i>CG</i> 2/8/24



Button Color: Black

CW INDUSTRIES Southampton, Pa. 18966	Title:	SWIDGET JR. ASSEMBLY D.P. - D.T.
	TOLERANCES UNLESS OTHERWISE SPECIFIED 2 Place Decimal $\pm .010$ METRIC 3 Place Decimal $\pm .005$ 1 Place Dec. $\pm .25$ mm Angles $\pm 1^\circ$ 2 Place Dec. $\pm .13$ mm	
Made for:	CW IND.	Division:
Drawn by:	DGW 10/03/18	SWITCH
Checked by:	<i>B. PAULD 2/8/24</i>	Dwg. No.
Approval:	<i>CG 2/8/24</i>	GS-113-0014

1      2      3      4      5      6      7      8      9      10

MASTER