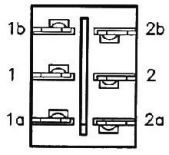
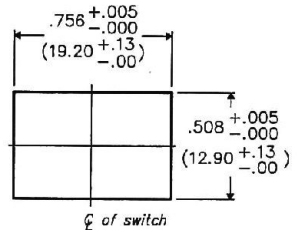
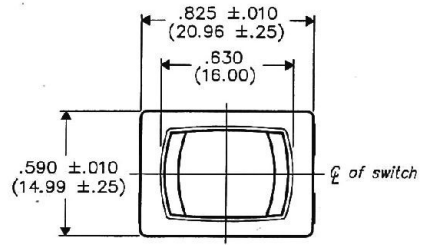


DIMENSIONS IN INCHES (MILLIMETERS)
DO NOT SCALE DRAWING

Dwg. No.
GRS-4023A-0009



PANEL PIERCING

BOTTOM VIEW

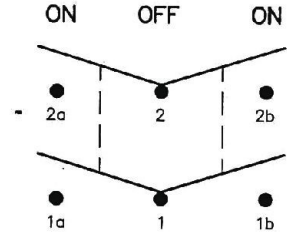
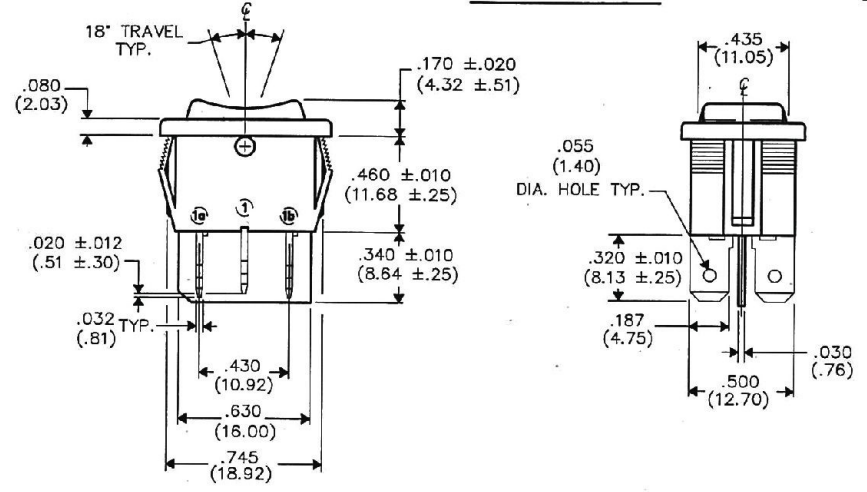
MATERIAL:

ROCKER KNOB- Nylon 6/6, Color - Red
HOUSING- Nylon 6/6, Color - Black

ELECTRICAL RATING-

13A 125VAC 5A 14V T
10A 250VAC 1/2 H.P. 125-250VAC

LISTING AGENCIES-

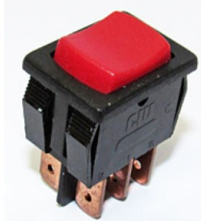


E
D
C
B
A

1 2 3 4 5 6 7 8 9 10

| | | | |
|---------|-----------|-------------|---|
| FORM-B4 | REVISIONS | 0 | RELEASED DCW 8-13-2008 |
| | | 1 | ADDED NOTES AND SWITCH FUNCTION TO DRAWING. DCW 6-25-14 |
| | | JUN 25 2014 | |

ATTENTION
THIS DRAWING AND ITS ATTACHMENTS, IF ANY, ARE PROPRIETARY TO CW INDUSTRIES AND DESCRIBE DESIGNS THAT ARE CONFIDENTIAL AND MUST NOT BE DISCLOSED UNLESS AUTHORIZED, IN WRITING, BY AN OFFICER OF CW INDUSTRIES.....



CW INDUSTRIES
Southampton, Pa. 18966

| TOLERANCES UNLESS OTHERWISE SPECIFIED | |
|---------------------------------------|---------------------|
| 2 Place Decimal ±.010 | METRIC |
| 3 Place Decimal ±.005 | 1 Place Dec. ±.25mm |
| Angles ±1° | 2 Place Dec. ±.13mm |

Made for: CW IND.
Drawn by: DCW 8-13-2008
Checked by: G. GULD 6-25-14
Approval: *[Signature]*

Title: **ASSEMBLY
ROCKER SWIDGET
D.P.- CENTER OFF
ON-OFF-ON**

Division: **SWITCH**

Dwg. No. **GRS-4023A-0009**