

DIMENSIONS IN INCHES (MILLIMETERS)
DO NOT SCALE DRAWING

Dwg. No.
GRS-4023-0001

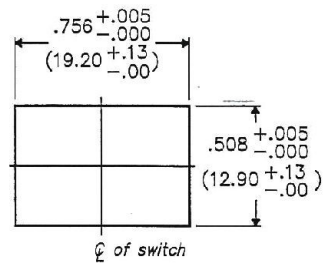
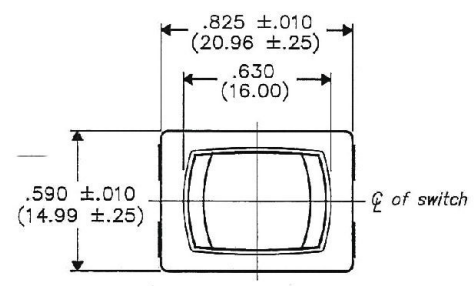
MATERIAL:

Button & Housing: Nylon 6/6, Color- Black

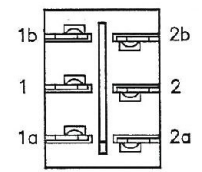
Stationary &
Moving Contacts: Copper alloy/micro-finish

SWITCH RATINGS:

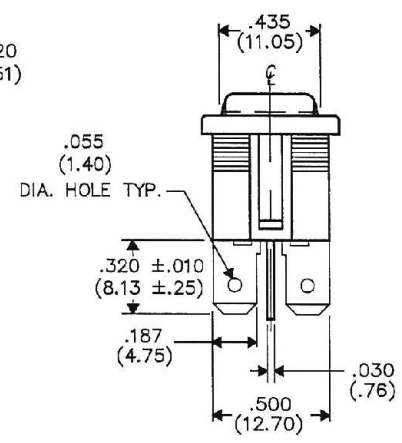
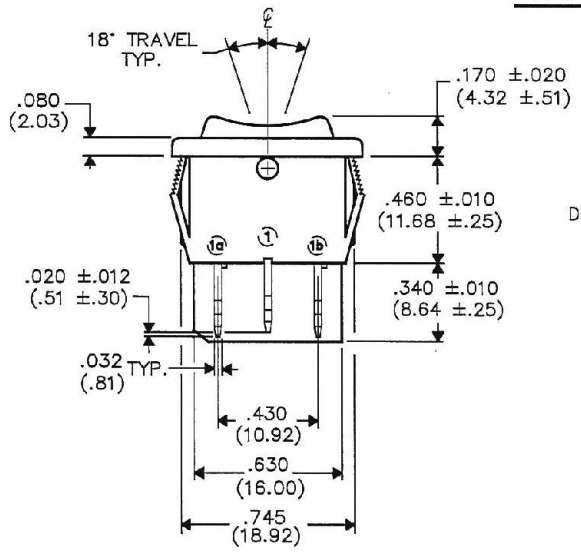
UL & CSA
8A 125VAC
4A 250VAC
3A 277VAC



PANEL PIERCING



BOTTOM VIEW



E
D
C
B
A
 THIS INFORMATION IS CONFIDENTIAL AND PROPRIETARY TO CW INDUSTRIES INCORPORATED AND ITS AFFILIATES. IT MAY NOT BE DISCLOSED TO ANYONE, OTHER THAN CW INDUSTRIES PERSONNEL, WITHOUT WRITTEN AUTHORIZATION FROM CW INDUSTRIES INCORPORATED, SOUTHAMPTON, PENNSYLVANIA, USA.

1	2	3	4	5	6	7	8	9	10
---	---	---	---	---	---	---	---	---	----

B-FORMAT 2002

REVISIONS

0	NEW	10/02/19	021	0 2 2019
---	-----	----------	-----	----------



PDF MADE	CW INDUSTRIES Southampton, Pa. 18966		Title: ROCKER SWIDGET ASSEMBLY D.P.-CENTER OFF (ON-OFF-ON)
	TOLERANCES UNLESS OTHERWISE SPECIFIED		
	2 Place Decimal ±.010	METRIC	
	3 Place Decimal ±.005	1 Place Dec. ±.25mm 2 Place Dec. ±.13mm	
Angles ±1°		Division:	SWITCH
Made for: CW IND.		Dwg. No.	GRS-4023A-0001
Drawn by: DGW 10/02/19			
Checked by: <i>G. GULD</i> 10-2-19			
Approval: <i>CJW</i> 10-2-19			