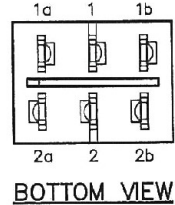
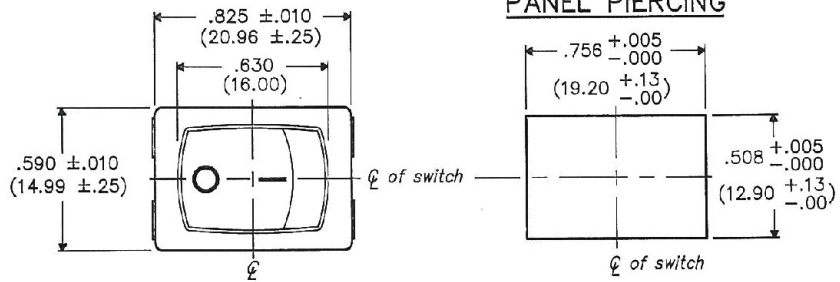


DIMENSIONS IN INCHES (MILLIMETERS)
DO NOT SCALE DRAWING

Dwg. No.
GRS-4022-0021

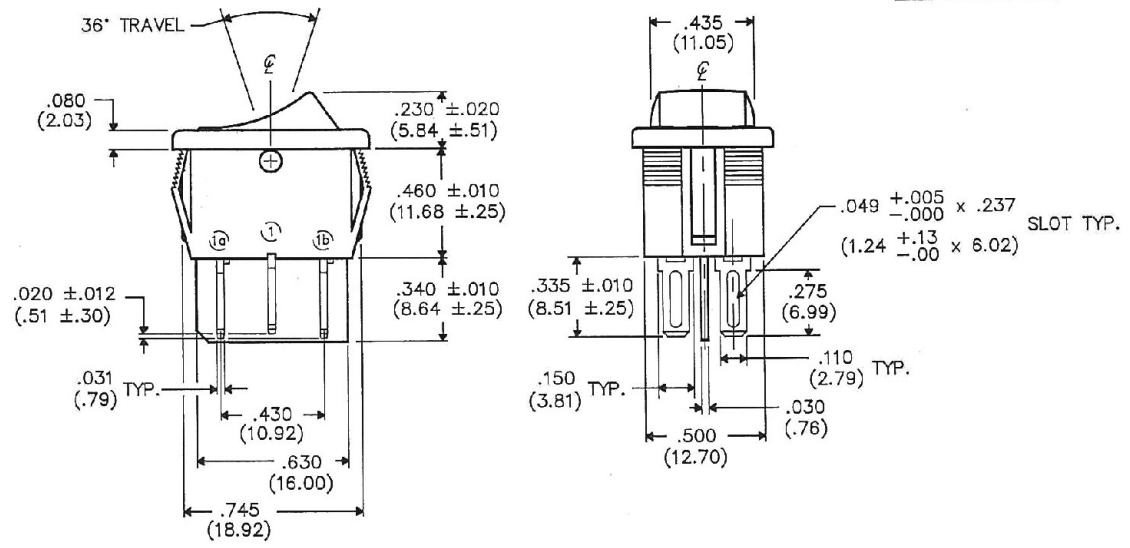
E
D
C
B
A

THIS INFORMATION IS CONFIDENTIAL AND PROPRIETARY TO CW INDUSTRIES INCORPORATED AND ITS AFFILIATES. IT MAY NOT BE DISCLOSED TO ANYONE OTHER THAN CW INDUSTRIES PERSONNEL, WITHOUT WRITTEN AUTHORIZATION FROM CW INDUSTRIES INCORPORATED, SOUTHAMPTON, PENNSYLVANIA, USA.



SWITCH COLORS:
 Button: Black
 Housing: Black
 Printing: White

UL, CSA & VDE RATINGS:
 16A 125-250VAC 3A 125VL
 3/4 H.P. 125-250VAC 10A 14V(T)
 GRS-4022 10(4)250 ~ μ T85°



ATTENTION
 THIS DRAWING AND ITS ATTACHMENTS, IF ANY, ARE PROPRIETARY TO CW INDUSTRIES AND DESCRIBE DESIGNS THAT ARE CONFIDENTIAL AND MUST NOT BE DISCLOSED UNLESS AUTHORIZED, IN WRITING, BY AN OFFICER OF CW INDUSTRIES.....

1 2 3 4 5 6 7 8 9 10

B-FORMAT 2002
REVISIONS
 0
 RELEASED: 8/27/18
 DCW 8/27/18
 8/27/18



CW INDUSTRIES
 Southampton, Pa. 18968
 TOLERANCES UNLESS OTHERWISE SPECIFIED
 2 Place Decimal ±.010 METRIC
 3 Place Decimal ±.005 1 Place Dec. ±.25mm
 Angles ±1' 2 Place Dec. ±.13mm
 Made for: CW IND.
 Drawn by: DGW 8/27/18
 Checked by: G. Guld 8-27-18
 Approval: [Signature] 8/27/18

Title: **MINI - ROCKER SWITCH ASSEMBLY D.P./D.T.**
 Division: **SWITCH**
 Dwg. No. **GRS-4022-0021**