

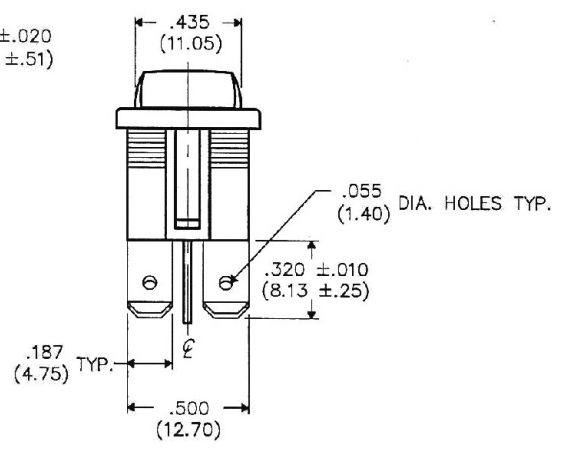
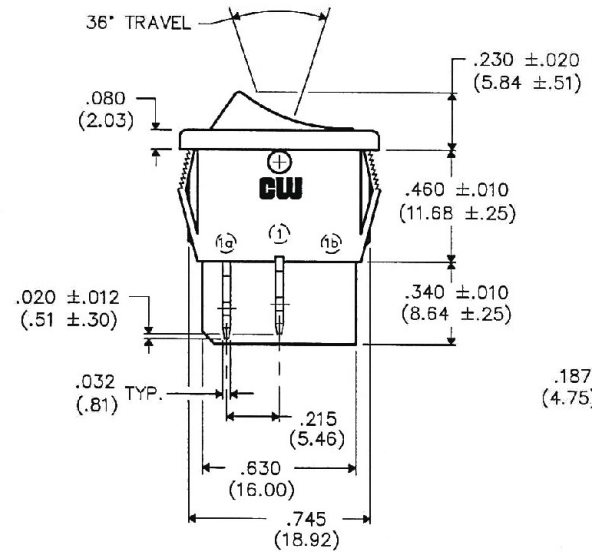
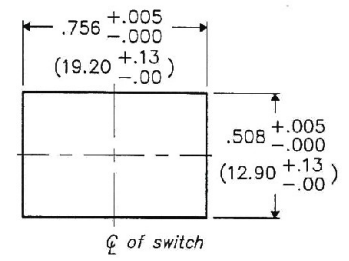
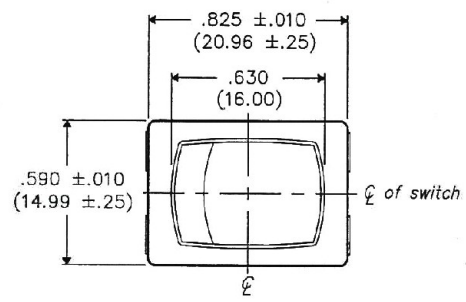
THIS INFORMATION IS CONFIDENTIAL AND PROPRIETARY TO CW INDUSTRIES INCORPORATED AND ITS AFFILIATES. IT MAY NOT BE DISCLOSED TO ANYONE OTHER THAN CW INDUSTRIES PERSONNEL, WITHOUT WRITTEN AUTHORIZATION FROM CW INDUSTRIES INCORPORATED, SOUTHAMPTON, PENNSYLVANIA, U.S.A.

F  
D  
C  
B  
A

DIMENSIONS IN INCHES (MILLIMETERS)  
DO NOT SCALE DRAWING .....

Dwg. No.  
**GRS-4021C-0000**

**PANEL PIERCING**

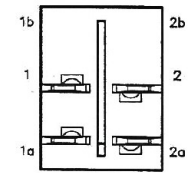


**RATINGS:**

- UL & CSA Listed
- 13A. 125VAC
- 10A. 250VAC
- 1/2 H.P. 125 - 250VAC
- 5A. 14V(T)

**MATERIALS:**

- Actuator - Nylon 6/6, Color - Black
- Housing - Nylon 6/6, Color - Black
- Moving Contact & Terminal - Copper Alloy



**BOTTOM VIEW**

1      2      3      4      5      6      7      8      9      10

B-FORMAT 2002

**REVISIONS**

RELEASED: DCW 8-30-2017  
8553 0-5-2017



**CW INDUSTRIES**  
Southampton, Pa. 18966

TOLERANCES UNLESS OTHERWISE SPECIFIED	
2 Place Decimal ±.010	METRIC
3 Place Decimal ±.005	1 Place Dec. ±.25mm
Angles ..... ±1°	2 Place Dec. ±.13mm

Made for: CW IND.  
 Drawn by: DGW 8-30-2017  
 Checked by: G. GULD 9-1-17  
 Approval: G. GULD 9-1-17

Title: **ROCKER SWIDGET ASSEMBLY**  
POP - IN  
D.P. - S.T.

Division: **SWITCH**

Dwg. No. **GRS-4021C-0000**