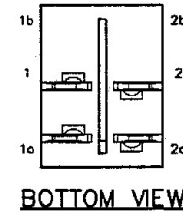
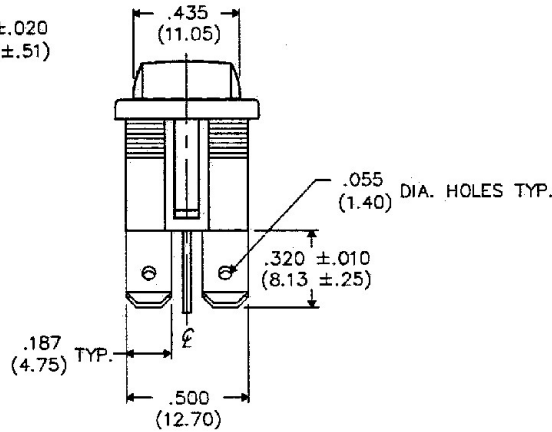
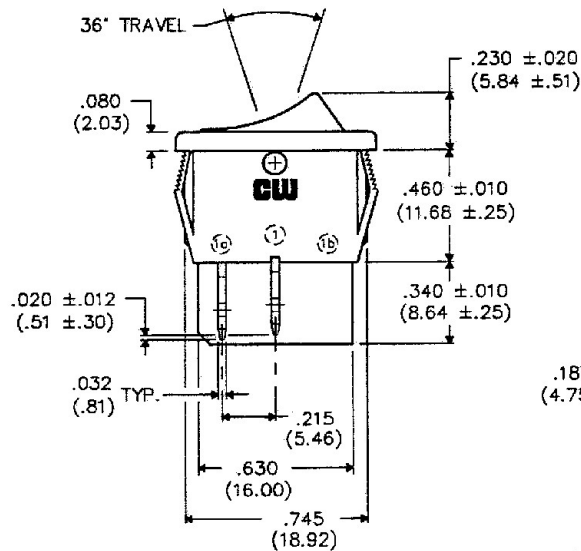
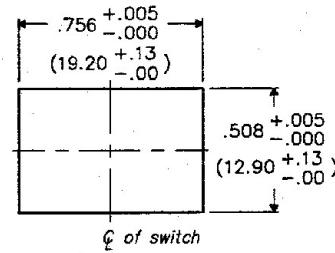
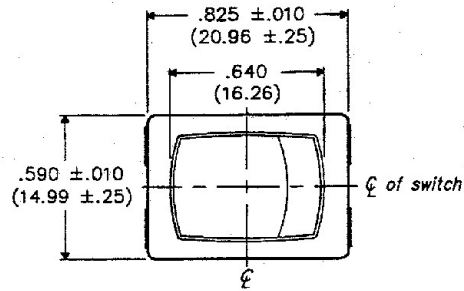


DIMENSIONS IN INCHES (MILLIMETERS)  
DO NOT SCALE DRAWING .....

Dwg. No.

GRS-4021B-0000

PANEL PIERCING



BOTTOM VIEW

FORM-B

REVISIONS

0  
RELEASED  
DCW 8-04-84  
Aug 18 1984  
DZIK

**ATTENTION**  
THIS DRAWING AND ITS ATTACHMENTS, IF ANY, ARE PROPRIETARY TO CW INDUSTRIES AND DESCRIBE DESIGNS THAT ARE CONFIDENTIAL AND MUST NOT BE DISCLOSED UNLESS AUTHORIZED, IN WRITING, BY AN OFFICER OF CW INDUSTRIES.....



PDF File Made

**CW INDUSTRIES**  
Southampton, Pa. 18966

TOLERANCES UNLESS OTHERWISE SPECIFIED

2 Place decimal ±.010 METRIC  
3 Place decimal ±.005 1 Place dec. ±.25mm  
Angles ..... ± 1° 2 Place dec. ±.13mm

Made for: CW IND.

Drawn by: DGW 8-04-94

Checked by: G. Gull 8-8-94

Approved: Y. J. F. 8-0-94

Title: **ROCKER SWITCH ASSEMBLY (POP IN) D.P. - S.T.**

Division: **SWITCH**

Dwg. No. **GRS-4021B-0000**