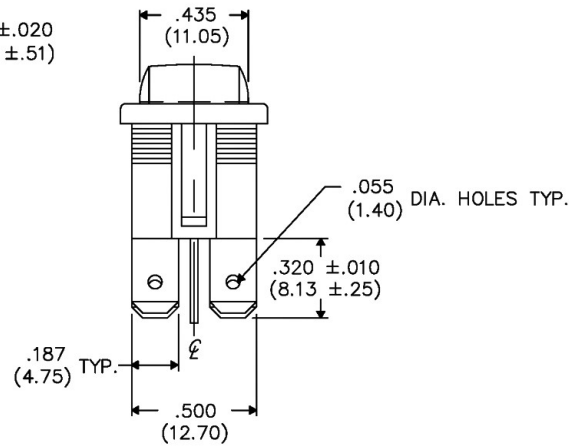
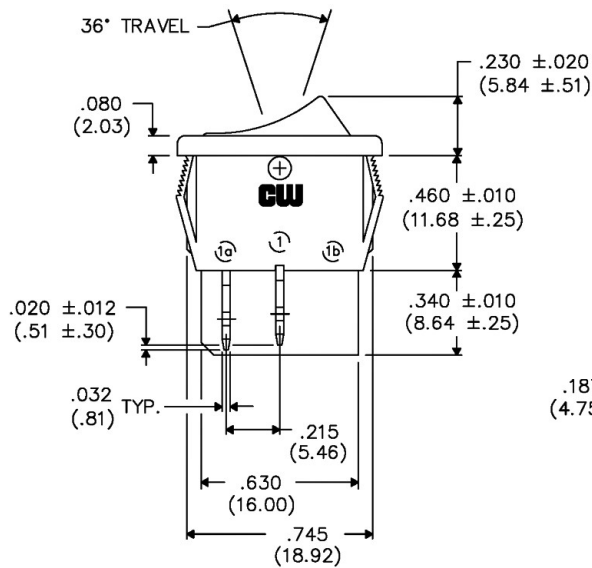
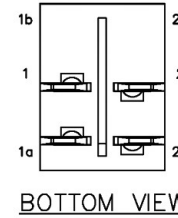
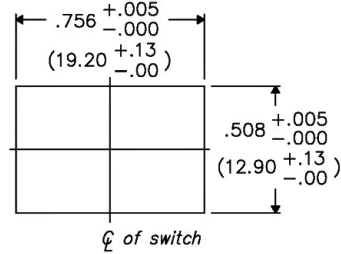
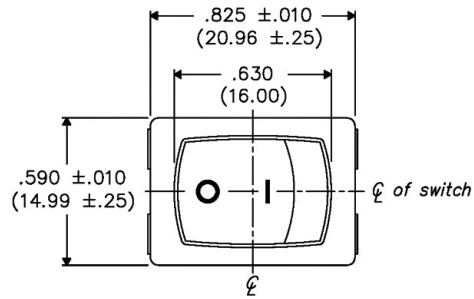


DIMENSIONS IN INCHES (MILLIMETERS)  
DO NOT SCALE DRAWING .....

Dwg. No.  
GRS-4021-0021

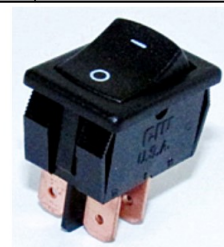
PANEL PIERCING



E  
D  
C  
B  
A

1 2 3 4 5 6 7 8 9 10

FORM-B4  
REVISIONS  
0  
RELEASED.  
DGW 4-15-2002  
4-25-02



**CW INDUSTRIES**  
Southampton, Pa. 18966  
TOLERANCES UNLESS OTHERWISE SPECIFIED  
2 Place Decimal ±.010 METRIC  
3 Place Decimal ±.005 1 Place Dec. ±.25mm  
Angles ..... ±1° 2 Place Dec. ±.13mm  
Made for: CW IND.  
Drawn by: DGW 4-15-2002  
Checked by: GG 4-25-02  
Approval: BF 4-25-02

Title: ROCKER SWIDGET ASSEMBLY (POP IN) D.P.- S.T.  
Division: SWITCH  
Dwg. No. GRS-4021-0021