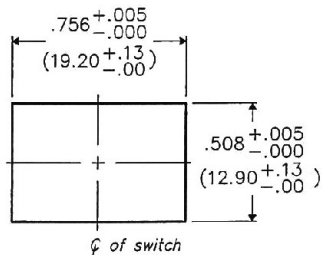
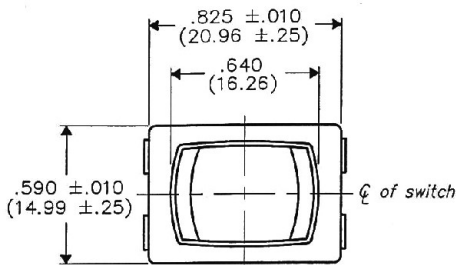


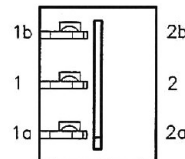
THIS INFORMATION IS CONFIDENTIAL AND PROPRIETARY TO CW INDUSTRIES INCORPORATED AND ITS AFFILIATES. IT MAY NOT BE DISCLOSED TO ANYONE, OTHER THAN CW INDUSTRIES PERSONNEL, WITHOUT WRITTEN AUTHORIZATION FROM CW INDUSTRIES INCORPORATED, SOUTHAMPTON, PENNSYLVANIA USA.

DIMENSIONS IN INCHES (MILLIMETERS)
DO NOT SCALE DRAWING

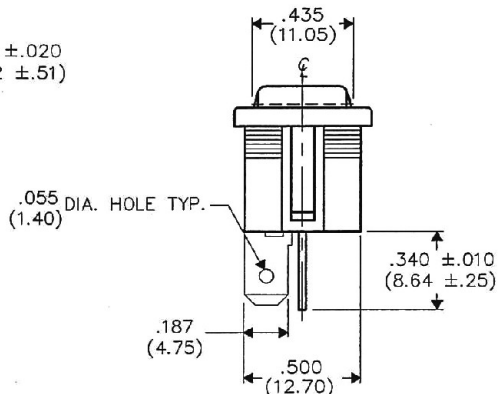
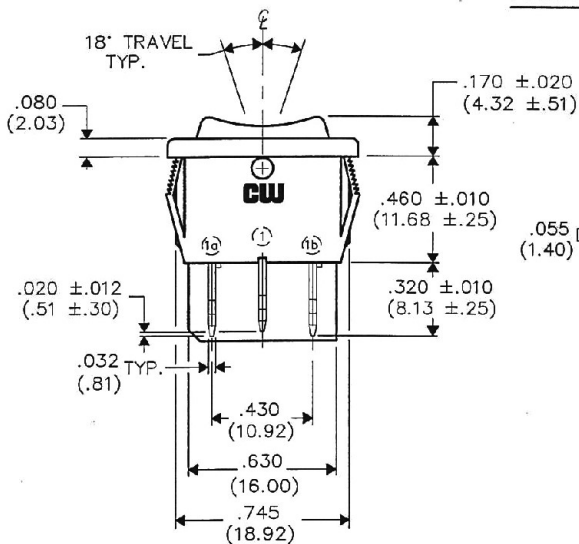
Dwg. No.
GRS-4013C-0001



PANEL PIERCING



BOTTOM VIEW



UL & CSA LISTED:

- 8A 125VAC
- 4A 250VAC
- 3A 277VAC

MATERIALS:

BUTTON & HOUSING - NYLON 6/6 94V-2, COLOR/BLACK
TERMINAL & MOVING CONTACT - COPPER ALLOY

1 2 3 4 5 6 7 8 9 10

B-FORMAT 2002 REVISIONS RELEASED: DWG 2-25-13 DEC. 2, 2013		<table border="1" style="width: 100%; border-collapse: collapse;"> <tr> <td colspan="2" style="text-align: center;">CW INDUSTRIES</td> <td colspan="2">Southampton, Pa. 18966</td> </tr> <tr> <td colspan="4" style="text-align: center; font-size: small;">TOLERANCES UNLESS OTHERWISE SPECIFIED</td> </tr> <tr> <td style="font-size: x-small;">2 Place Decimal ±.010</td> <td style="font-size: x-small;">METRIC</td> <td colspan="2"></td> </tr> <tr> <td style="font-size: x-small;">3 Place Decimal ±.005</td> <td style="font-size: x-small;">1 Place Dec. ±.25mm</td> <td colspan="2"></td> </tr> <tr> <td style="font-size: x-small;">Angles ±1°</td> <td style="font-size: x-small;">2 Place Dec. ±.13mm</td> <td colspan="2"></td> </tr> <tr> <td colspan="2">Made for: CW IND.</td> <td colspan="2">Division: SWITCH</td> </tr> <tr> <td colspan="2">Drawn by: DGW 2-25-13</td> <td colspan="2">Dwg. No. GRS-4013C-0001</td> </tr> <tr> <td colspan="2">Checked by: <i>G. Guld 2-26-13</i></td> <td colspan="2"></td> </tr> <tr> <td colspan="2">Approval: <i>C. H. 2/26/13</i></td> <td colspan="2"></td> </tr> </table>	CW INDUSTRIES		Southampton, Pa. 18966		TOLERANCES UNLESS OTHERWISE SPECIFIED				2 Place Decimal ±.010	METRIC			3 Place Decimal ±.005	1 Place Dec. ±.25mm			Angles ±1°	2 Place Dec. ±.13mm			Made for: CW IND.		Division: SWITCH		Drawn by: DGW 2-25-13		Dwg. No. GRS-4013C-0001		Checked by: <i>G. Guld 2-26-13</i>				Approval: <i>C. H. 2/26/13</i>			
CW INDUSTRIES		Southampton, Pa. 18966																																				
TOLERANCES UNLESS OTHERWISE SPECIFIED																																						
2 Place Decimal ±.010	METRIC																																					
3 Place Decimal ±.005	1 Place Dec. ±.25mm																																					
Angles ±1°	2 Place Dec. ±.13mm																																					
Made for: CW IND.		Division: SWITCH																																				
Drawn by: DGW 2-25-13		Dwg. No. GRS-4013C-0001																																				
Checked by: <i>G. Guld 2-26-13</i>																																						
Approval: <i>C. H. 2/26/13</i>																																						
		Title: ASSEMBLY ROCKER SWIDGET S.P.- CENTER OFF (MOM.-OFF-MOM.)																																				