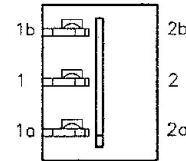
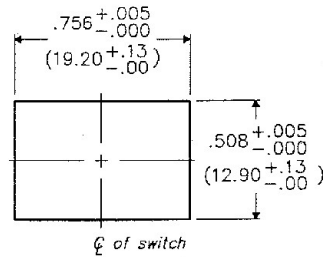
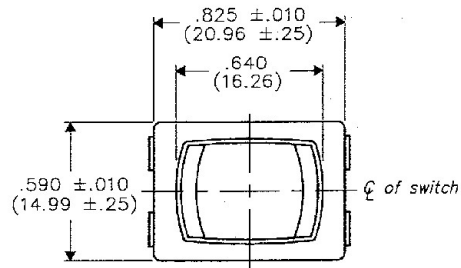


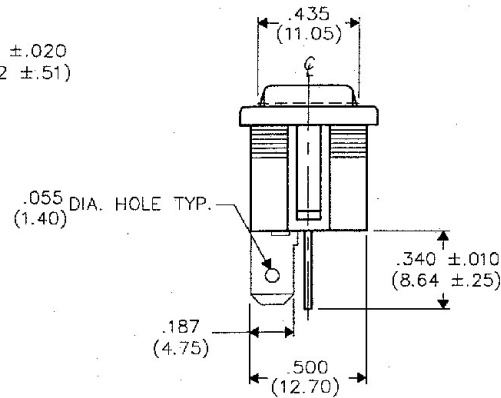
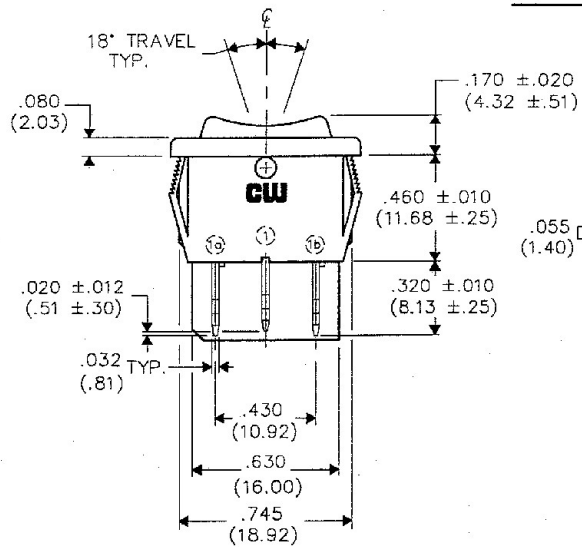
DIMENSIONS IN INCHES (MILLIMETERS)
DO NOT SCALE DRAWING

Dwg. No.
GRS-4013B-0000



PANEL PIERCING

BOTTOM VIEW



FORM-B (REV.)

REVISIONS

0	RELEASED
	DGW 10-14-94
	AW 10-20-94

ATTENTION
THIS DRAWING AND ITS ATTACHMENTS, IF ANY, ARE PROPRIETARY TO CW INDUSTRIES AND DESCRIBE DESIGNS THAT ARE CONFIDENTIAL AND MUST NOT BE DISCLOSED UNLESS AUTHORIZED, IN WRITING, BY AN OFFICER OF CW INDUSTRIES.....



CW INDUSTRIES
Southampton, Pa. 18966

TOLERANCES UNLESS OTHERWISE SPECIFIED

2 Place decimal ±.010	METRIC
3 Place decimal ±.005	1 Place dec. ±.25mm
Angles ± 1°	2 Place dec. ±.13mm

Made for: CW IND.
Drawn by: DGW 10-14-94
Checked by: G. GOLA 10-20-94
Approved: A. HOSFIELD 10-20-94

Title: **ASSEMBLY
ROCKER SWIDGET
S.P.- CENTER OFF
(MOM.-OFF-ON)**

Division: **SWITCH**

Dwg. No. **GRS-4013B-0000**