

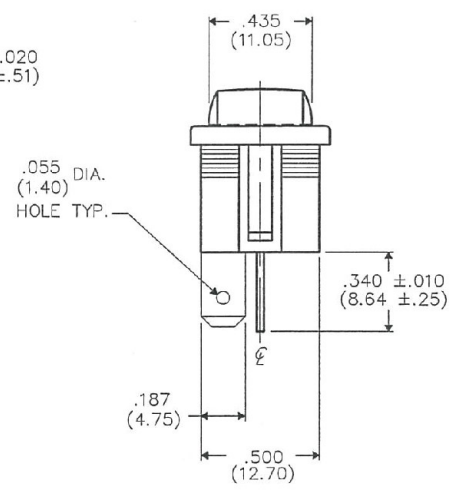
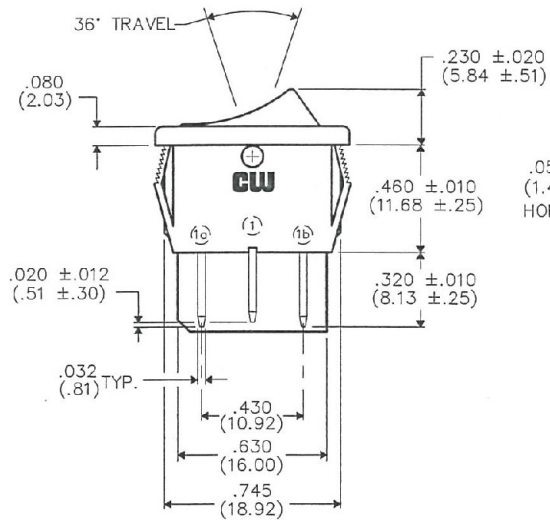
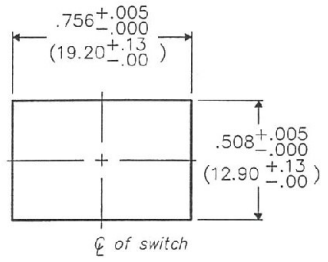
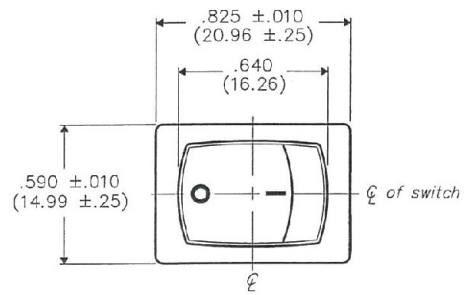
F
 D
 C
 B
 A

THIS INFORMATION IS CONFIDENTIAL AND PROPRIETARY TO CW INDUSTRIES INCORPORATED AND ITS AFFILIATES. IT MAY NOT BE DISCLOSED TO ANYONE OTHER THAN CW INDUSTRIES PERSONNEL, WITHOUT WRITTEN AUTHORIZATION FROM CW INDUSTRIES INCORPORATED, SOUTHAMPTON, PENNSYLVANIA USA.

DIMENSIONS IN INCHES (MILLIMETERS)
DO NOT SCALE DRAWING

Dwg. No.
GRS-4012-0047

PANEL PIERCING



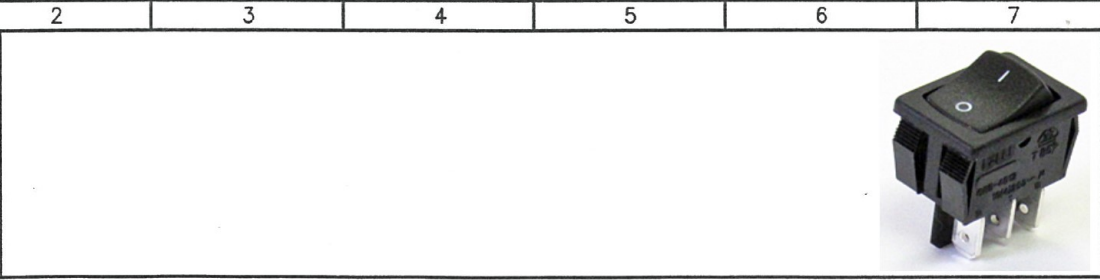
UL, CSA & VDE LISTED:


16A 125-250VAC 3/4H.P. 125-250VAC
 3A 125V L 10A 14V(T)
 10(4) 250 ~ 4 T85'

MATERIALS:

BUTTON & HOUSING- NYLON 6/6 94V-2, COLOR/ BLACK
 TERMINAL & MOVING CONTACT - COPPER ALLOY

B-FORMAT 2002	0	1
REVISIONS	RELEASED: DGW 8-01-94 RBK AUG. 5, 1994	REDRAWN, UPDATED WITH NEW FORMAT AND ADDED UL & CSA & VDE LISTED AND MATERIALS. DGW 2-25-2013 FEB 26 2013



 Southampton, Pa. 18966	Title: ROCKER SWIDGET ASSEMBLY (POP-IN) S.P.- D.T.	
	TOLERANCES UNLESS OTHERWISE SPECIFIED 2 Place Decimal ±.010 METRIC 3 Place Decimal ±.005 1 Place Dec. ±.25mm Angles ±1' 2 Place Dec. ±.13mm	
Made for: CW IND.	Division: SWITCH	
Drawn by: DGW 8-01-94	Dwg. No. GRS-4012-0047	
Checked by: <i>B. Guild 2-26-13</i>	Approval: <i>C. Hamer 2/26/13</i>	