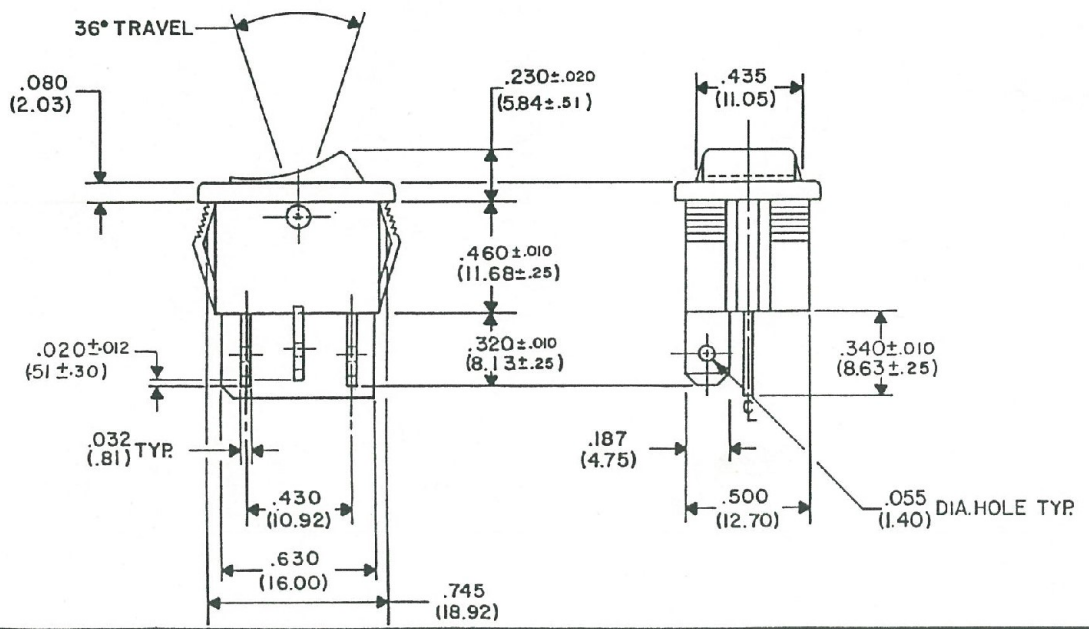
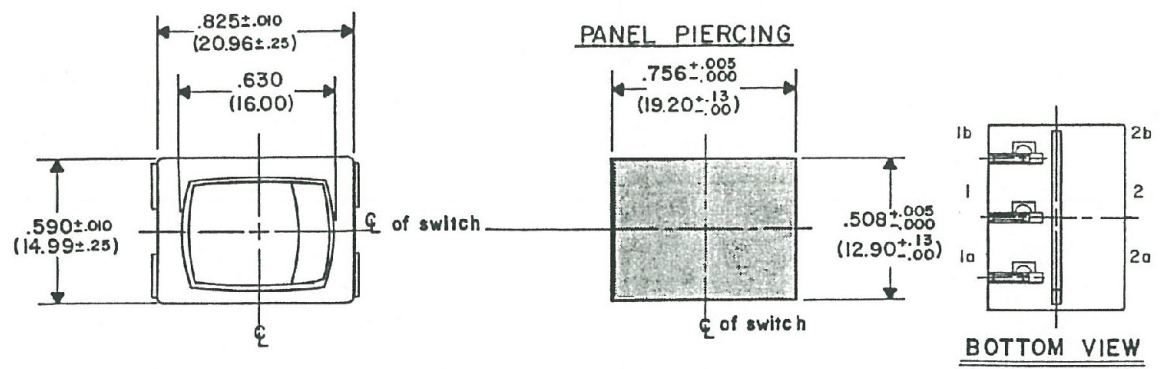
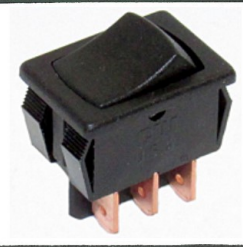


NOTE:
 Dimensions in () are in millimeters.



ATTENTION
 THIS DRAWING AND ITS ATTACHMENTS, IF ANY, ARE PROPRIETARY TO CW INDUSTRIES AND DESCRIBE DESIGNS THAT ARE CONFIDENTIAL AND MUST NOT BE DISCLOSED UNLESS AUTHORIZED, IN WRITING, BY AN OFFICER OF CW INDUSTRIES.....

REVISIONS
 0
 RELEASED E.C.J. 3-30-87
 MAR 30 1987
 .055 WAS .060



CW INDUSTRIES
 Southampton, Pa. 18966
 TOLERANCES UNLESS OTHERWISE SPECIFIED
 2 Place decimal ±.010 METRIC
 3 Place decimal ±.005 1 Place dec. ±.25MM
 Angles ±1° 2 Place dec. ±.13MM
 Made for, PROC YLLANNOD
 Drawn by LIS JACKSON 3-30-87
 Checked *ajz* *slj*
 Eng. appr *ajz* *slj*

ROCKER SWIDGET ASSEMBLY
 (POP IN)
 S.P.-D.T.
 Division SWITCH
 Drawing Number GRS-4012-0001