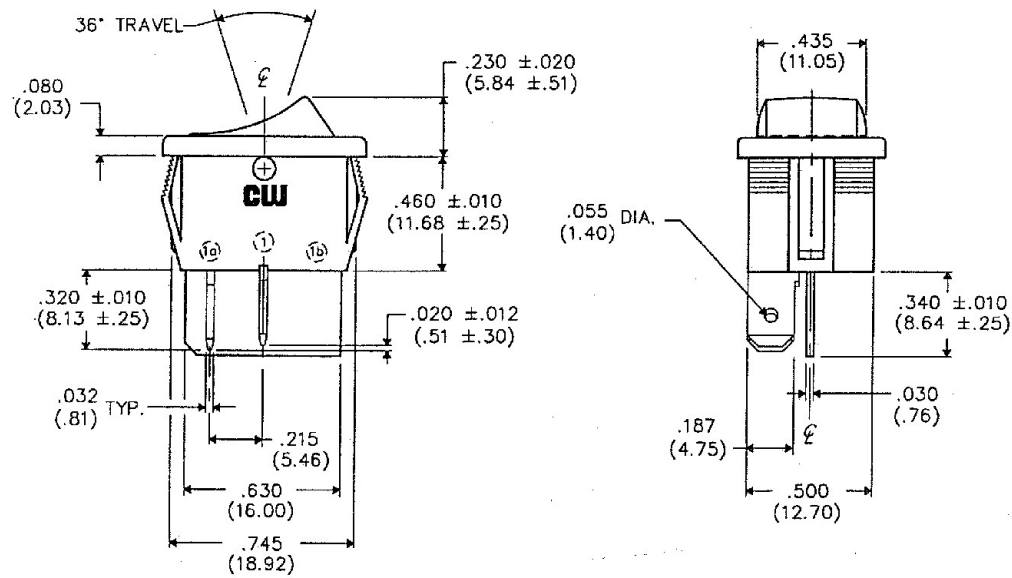
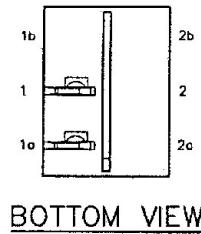
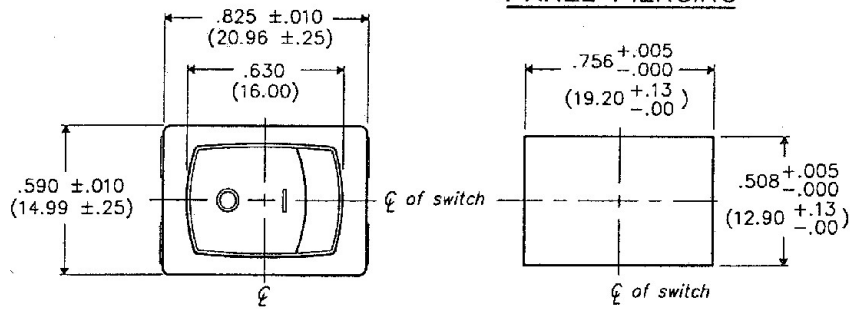


DIMENSIONS IN INCHES (MILLIMETERS)  
DO NOT SCALE DRAWING .....

Dwg. No.  
**GRS-4011-0068**

**PANEL PIERCING**



**CW INDUSTRIES**  
 Southampton, Pa. 18966

TOLERANCES UNLESS OTHERWISE SPECIFIED

2-Place decimal $\pm .010$	METRIC
3-Place decimal $\pm .005$	1 Place dec. $\pm .25$ mm
Angles ..... $\pm 1^\circ$	2 Place dec. $\pm .13$ mm

Made for: CW IND.  
 Drawn by: DGW 5-01-95  
 Checked by: G. Guld 5-2-95  
 Approval: C. Hume 5/13/95

Title: **MINI SWITCH ASSEMBLY**  
**SNAP-IN, S.P.- S.T.**  
**W/BARRIER**

Division: **SWITCH**

Dwg. No. **GRS-4011-0068**

FORM-B

REVISIONS

0	RELEASED DGW 5-01-95 MAY 2 - 1995
---	---