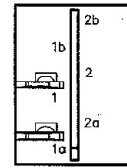
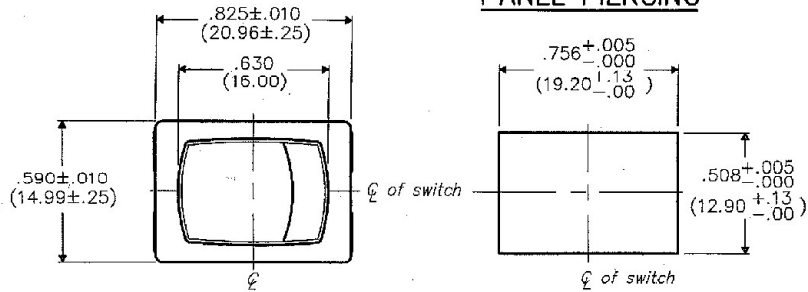


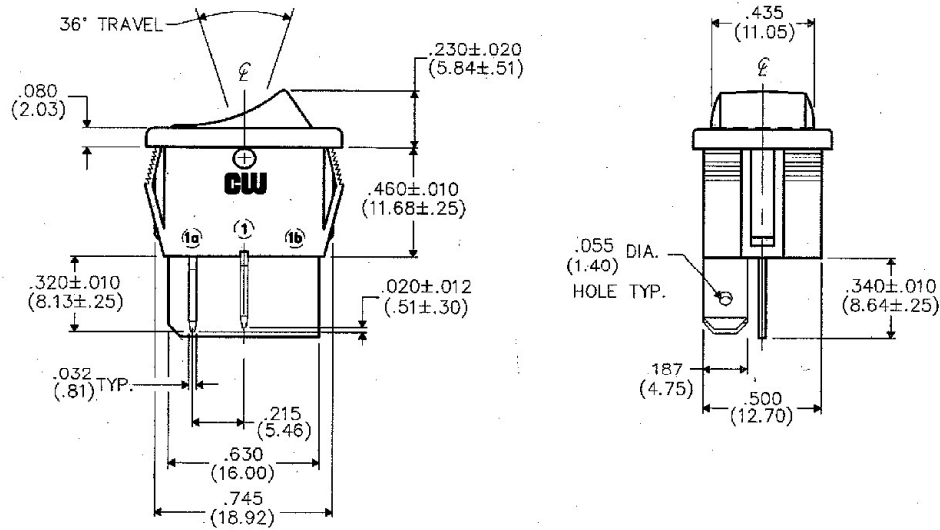
DIMENSIONS IN INCHES (MILLIMETERS)  
DO NOT SCALE DRAWING .....

Dwg. No.  
**GRS-4011-0001**

**PANEL PIERCING**



**BOTTOM VIEW**



FORM-B4  
**REVISIONS**  
 0  
 RELEASED: 11-19-2009  
 DGW  
 NOV 24 2009



**CW INDUSTRIES**  
 Southampton, Pa. 18966

TOLERANCES UNLESS OTHERWISE SPECIFIED	
2 Place Decimal ±.010	METRIC
3 Place Decimal ±.005	1 Place Dec. ±.25mm
Angles ..... ±1°	2 Place Dec. ±.13mm

Made for: CW IND.  
 Drawn by: DGW 11-19-2009  
 Checked by: G. Guld 11-20-09  
 Approval: G. Guld 11-20-09

Title: **ROCKER SWIDGET ASSEMBLY (POP IN) S.P. - S.T.**

Division: **SWITCH**

Dwg. No. **GRS-4011-0001**