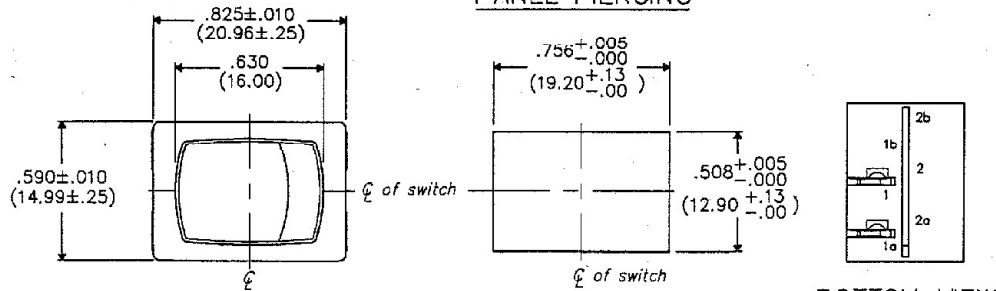


DIMENSIONS IN INCHES (MILLIMETERS)  
DO NOT SCALE DRAWING .....

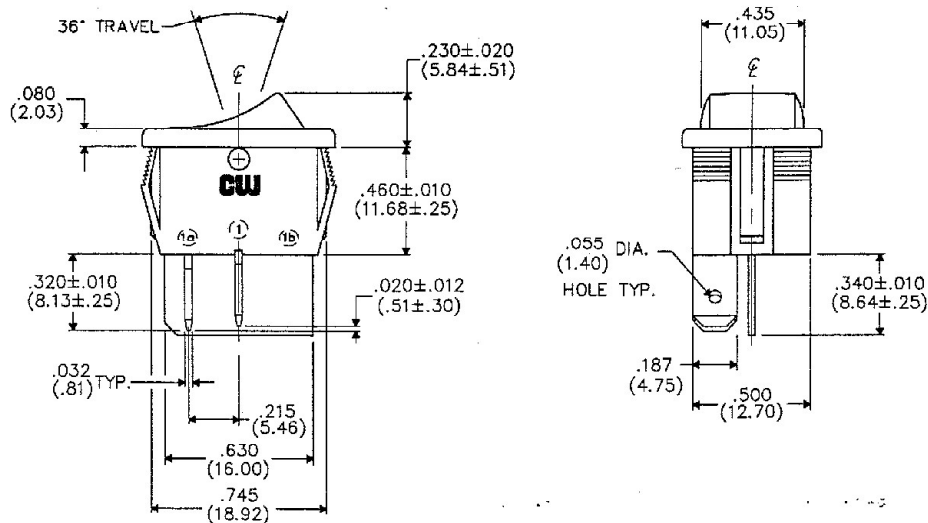
Dwg. No.

GRS-4011-0000

PANEL PIERCING



BOTTOM VIEW



MATERIAL:

- ROCKER KNOB- Nylon 94V-2
- HOUSING- Nylon 94V-2
- TERMINAL/STATIONARY/MOVING CONTACT- Copper alloy, and/or copper alloy clear chromate plated.
- SPRING- music wire
- PLUNGER- plated steel

PERFORMANCE STANDARDS-

- ① Endurance- 100,000 cycles, no load, minimum 25,000 cycles at rated load minimum up to 13A 125 VAC 10,000 cycles at rated load minimum at 13A 250 VAC
- Contact Resistance- less than .01 Ohm at 10 mA (initial)
- Operating Temperature- 105° C maximum
- High Voltage Dielectric Withstanding Voltage- 2,500 V, 60 Hz for 1 minute between mounting surface and circuit connections

HUMIDITY- Insulation resistance > 10<sup>3</sup> MOhms after 100 hours at 95% R.H. and 50° C followed by 1 hour dry at ambient room conditions

ELECTRICAL RATING-

- 13A 125 VAC , 10A 250 VAC
- 1/2 H.P. 125-250 VAC
- 5A 14V(T)

LISTING AGENCIES-



1 2 3 4 5 6 7 8 9 10

FORM-E4	REVISIONS	0
	RELEASED:	DCW 7-26-00
	<b>JUL 26 2000</b>	1
	13A WAS 15A IN TWO PLACES IN ENDURANCE NOTES.	
	DCW 10-31-2000	
	AW 11-1-00	



PDR File Made	<b>CW INDUSTRIES</b>	Title: <b>ROCKER SWIDGET ASSEMBLY (POP IN) S.P.- S.T.</b>
	Southampton, Pa. 18966	Division: <b>SWITCH</b>
	TOLERANCES UNLESS OTHERWISE SPECIFIED	Dwg. No. <b>GRS-4011-0000</b>
	2 Place Decimal ±.010 METRIC	
	3 Place Decimal ±.005 1 Place Dec. ±.25mm	
	Angles ..... ±1° 2 Place Dec. ±.13mm	
	Made for: <b>CW IND.</b>	
	Drawn by: <b>DCW 7-26-00</b>	
	Checked by: <b>G. Guld 7-26-00</b>	
	Approval: <i>[Signature]</i> 7-26-00	