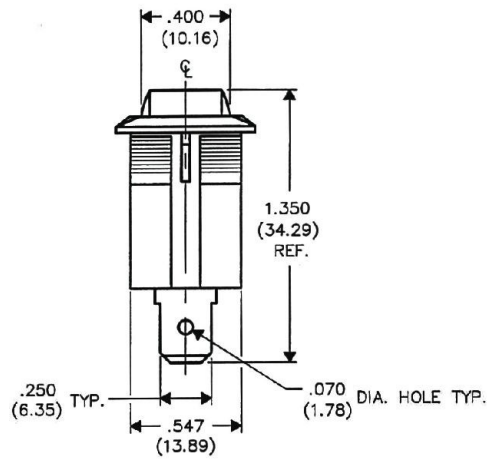
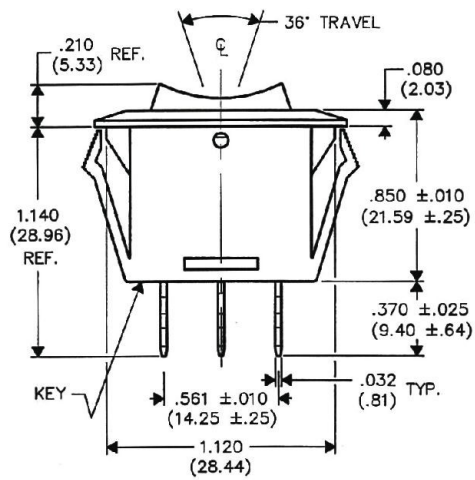
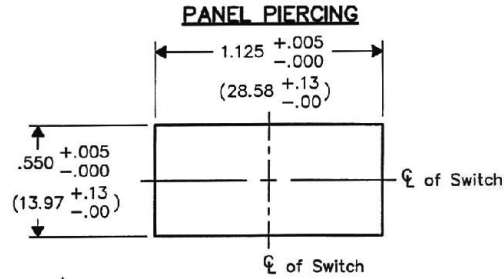
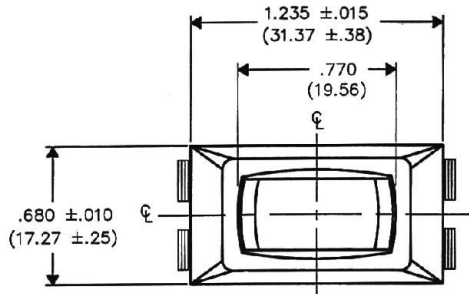


DIMENSIONS IN INCHES (MILLIMETERS)
DO NOT SCALE DRAWING

Dwg. No.
GRS-2013C-1300



ATTENTION
THIS DRAWING AND ITS ATTACHMENTS, IF ANY, ARE PROPRIETARY TO CW INDUSTRIES AND DESCRIBE DESIGNS THAT ARE CONFIDENTIAL AND MUST NOT BE DISCLOSED UNLESS AUTHORIZED, IN WRITING, BY AN OFFICER OF CW INDUSTRIES.....



CW INDUSTRIES
Southampton, Pa. 18966

TOLERANCES UNLESS OTHERWISE SPECIFIED	
2 Place Decimal ±.010	METRIC
3 Place Decimal ±.005	1 Place Dec. ±.25mm
Angles ±1°	2 Place Dec. ±.13mm

Made for: CW IND.
Drawn by: DGW 10-02-2002
Checked by: *E. Gold 10-7-02*
Approval: *[Signature]* 10-7-2

Title: **ROCKER SWITCH
CENTER-OFF
"POP IN"
MOM./OFF/MOM.**

Division: **SWITCH**

Dwg. No.
GRS-2013C-1300

B-FORMAT 2002

REVISIONS	DATE	BY	DESCRIPTION
0			
1	08-07-2002	DGW	RELEASED
			MOM./OFF/MOM. WAS MOM./OFF/ON IN TITLE.
			DCW 12-07-2012
			<i>James Barber 12/10/2012</i>

MASTER