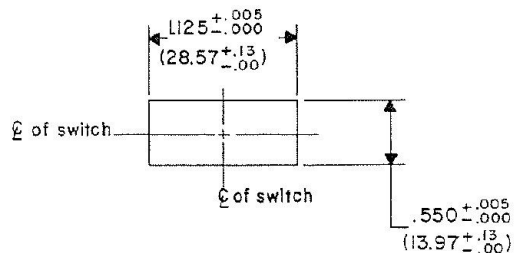
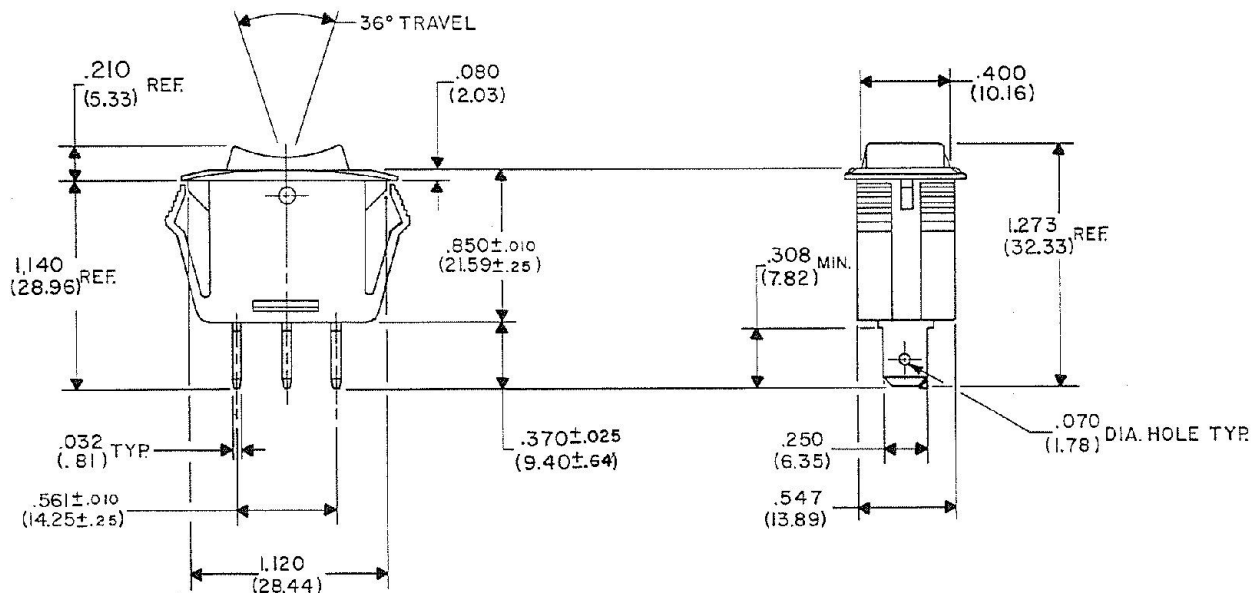


PANEL PIERCING



DIMENSIONS IN INCHES (MILLIMETERS)
DO NOT SCALE DRAWING

Dwg. No.
GRS-2013C-0000



FORM-B

REVISIONS

0	RELEASED
	DGW 10-10-94
	AW 10-20-94

ATTENTION
THIS DRAWING AND ITS ATTACHMENTS, IF ANY, ARE PROPRIETARY TO CW INDUSTRIES AND DESCRIBE DESIGNS THAT ARE CONFIDENTIAL AND MUST NOT BE DISCLOSED UNLESS AUTHORIZED, IN WRITING, BY AN OFFICER OF CW INDUSTRIES.....



CW INDUSTRIES
Southampton, Pa. 18966

TOLERANCES UNLESS OTHERWISE SPECIFIED
2 Place decimal ±.010 METRIC
3 Place decimal ±.005 1 Place dec. ±.25mm
Angles ± 1° 2 Place dec. ±.13mm

Title: **ROCKER SWITCH
CENTER OFF
"POP IN"
(MOM. - OFF - MOM.)
SINGLE POLE**

Div. No.: SAS0212A
Made for: CW IND.
Drawn by: DGW 10-10-94
Checked by: G. GULD 10-20-94
Approval: A. HOSFELD 10-20-94

Division: **SWITCH**
Dwg. No.: **GRS-2013C-0000**